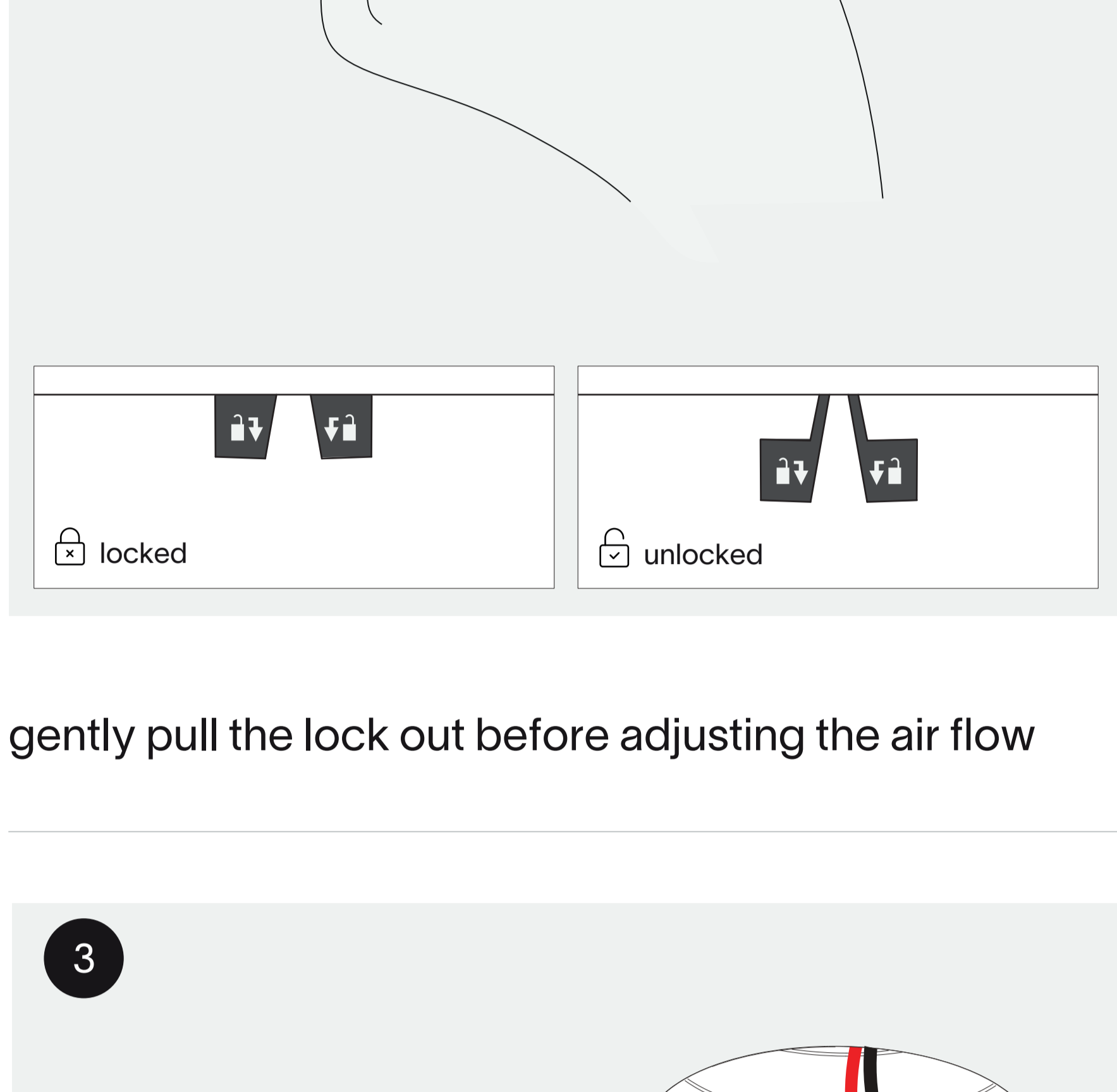


light + ventilation | short installation instruction

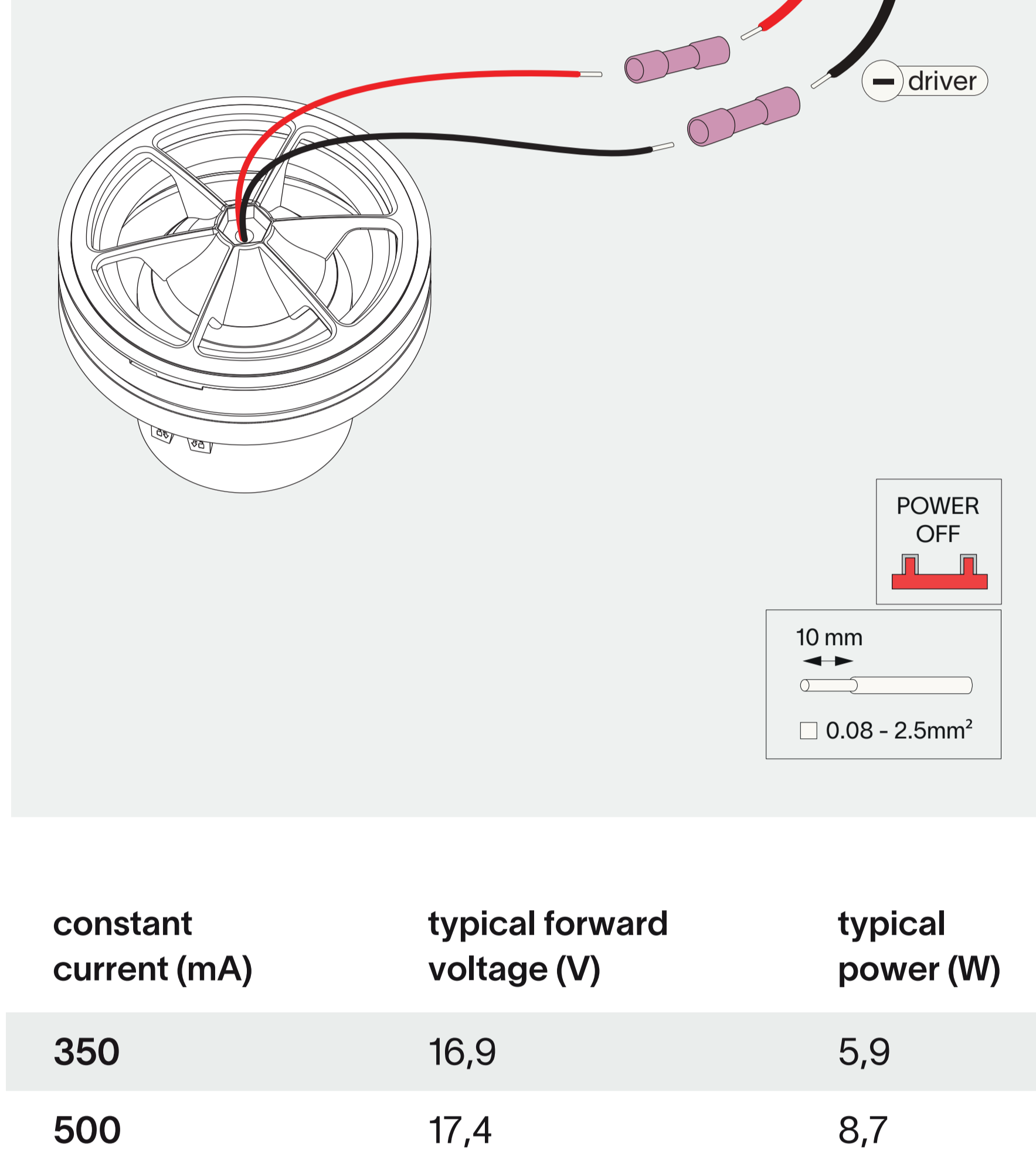


If 50m³/h is required
remove the 25m³/h ring like shown above

If 25m³/h is required
do not remove the 25m³/h ring like shown above

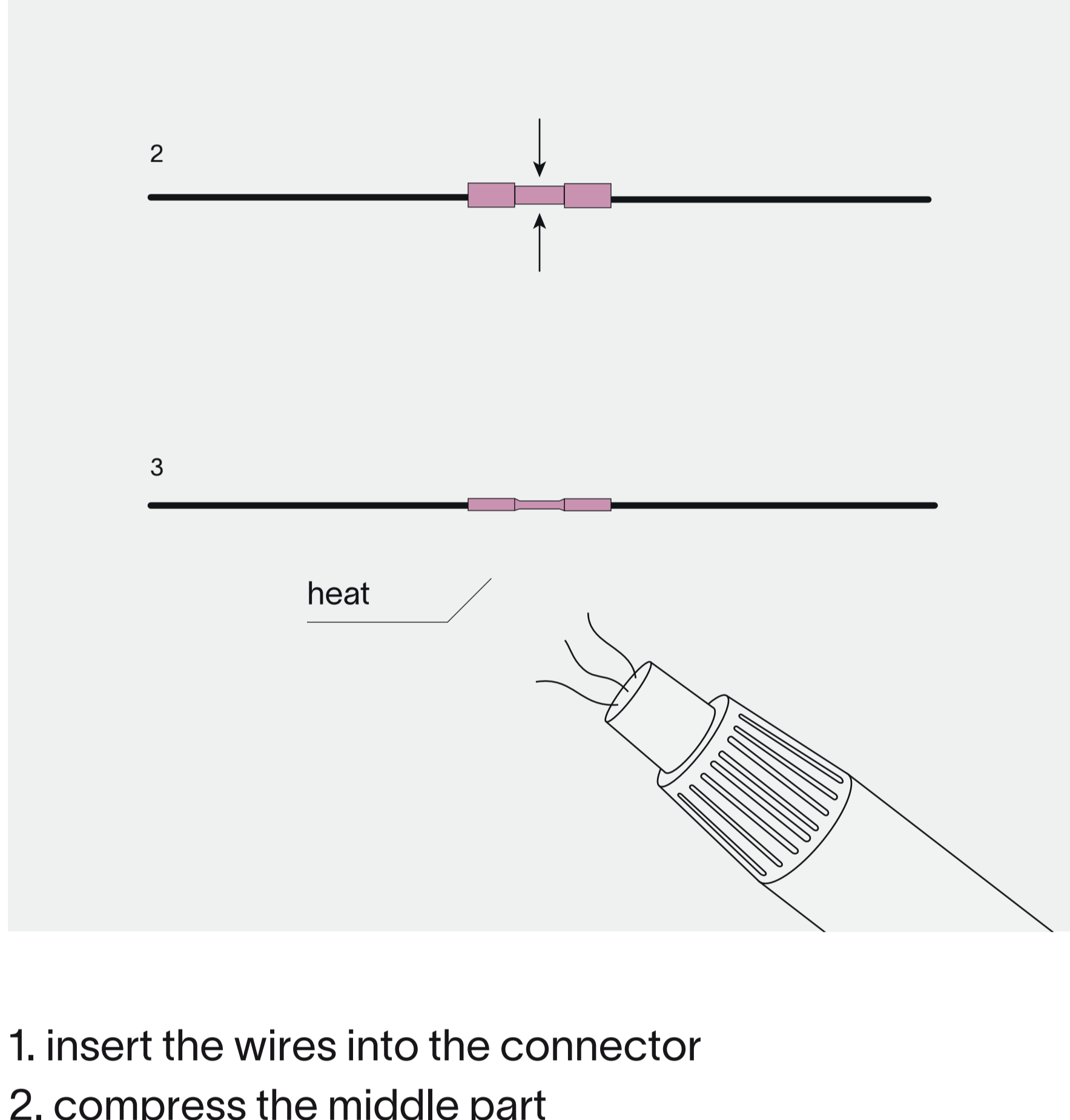


gently pull the lock out before adjusting the air flow

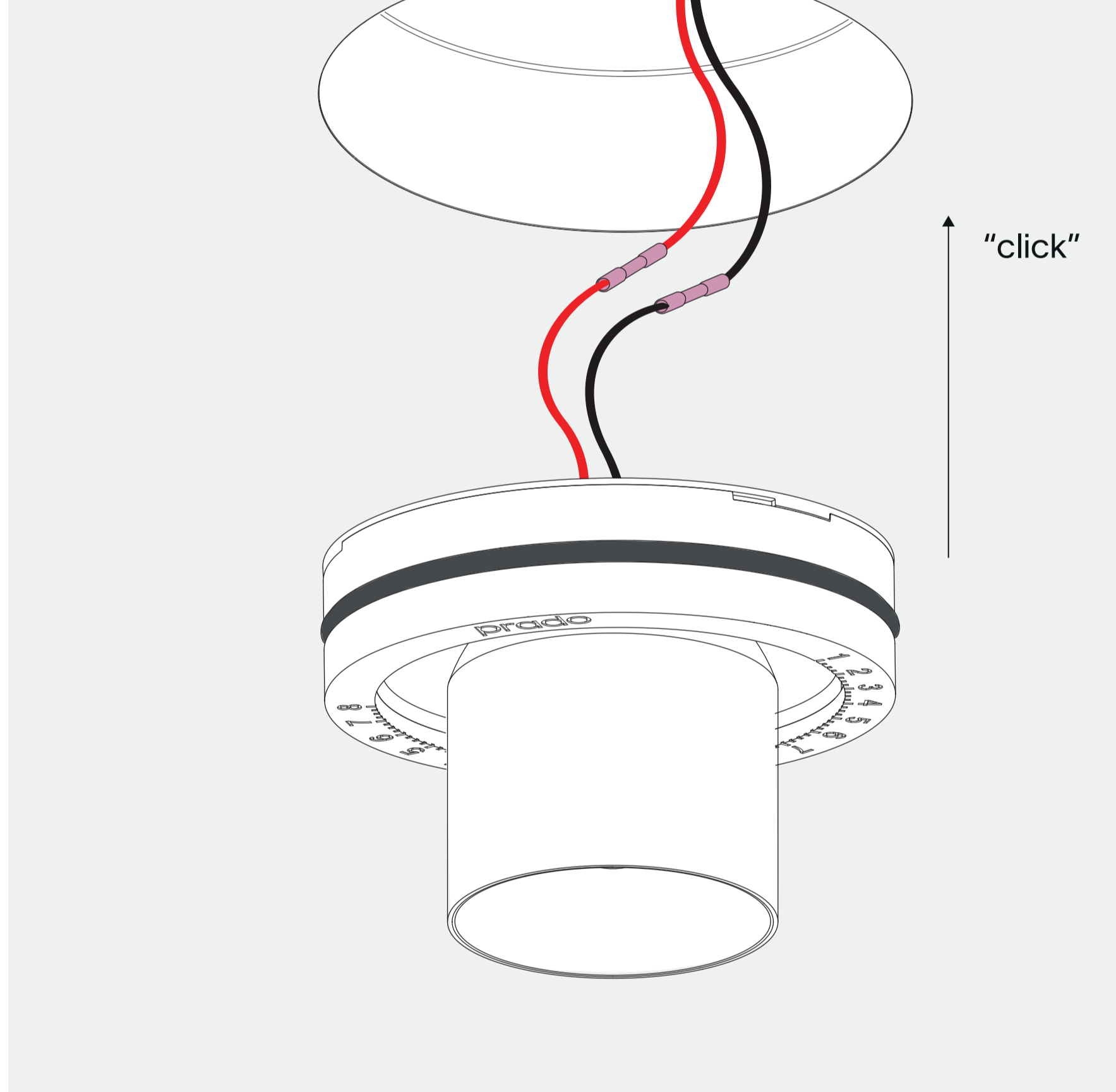


constant current (mA)	typical forward voltage (V)	typical power (W)
350	16,9	5,9
500	17,4	8,7

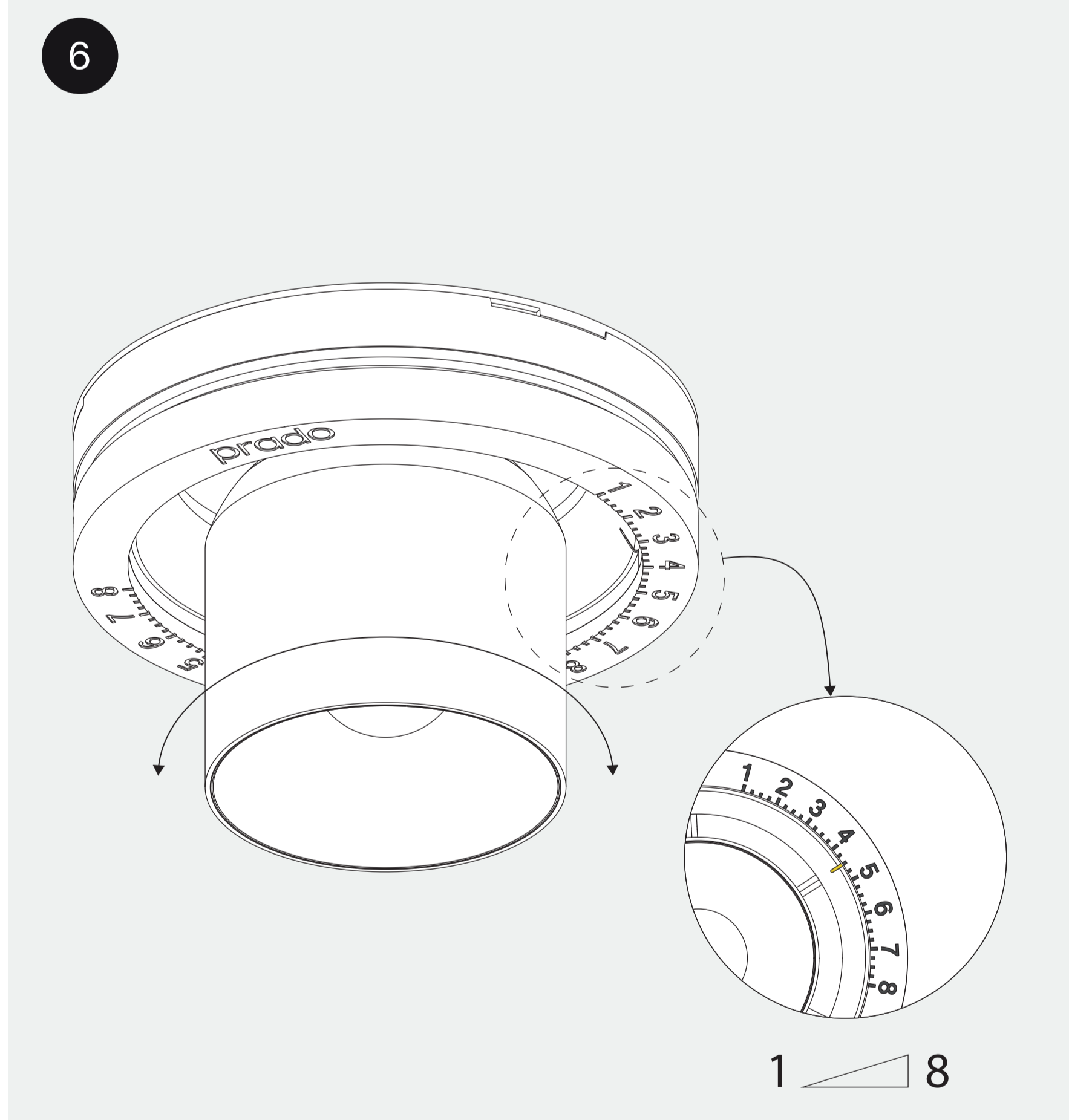
connect the wires with waterproof connectors for serial connection, respect polarity combine with prado LED-driver



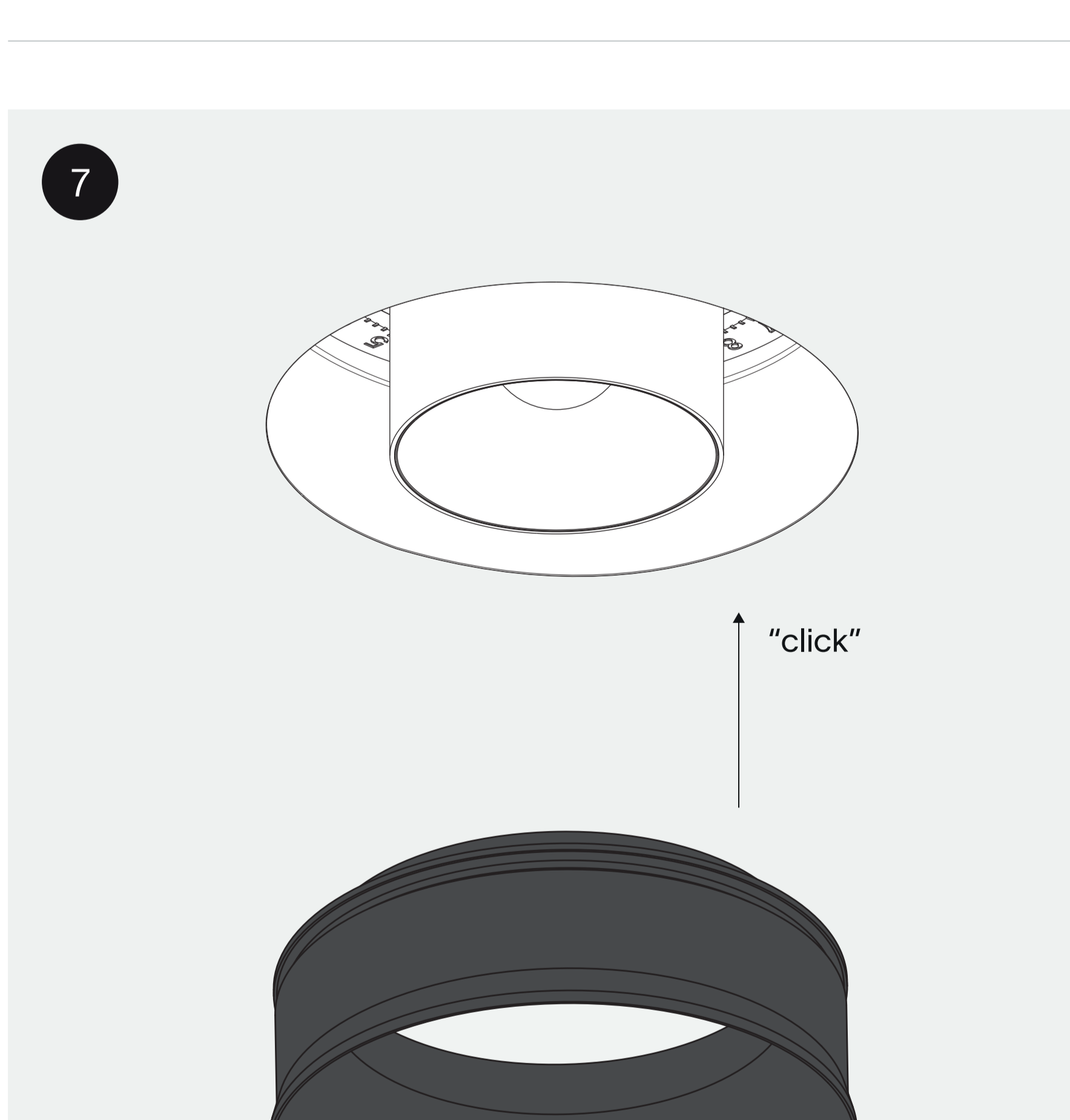
1. insert the wires into the connector
2. compress the middle part
3. seal with a heater



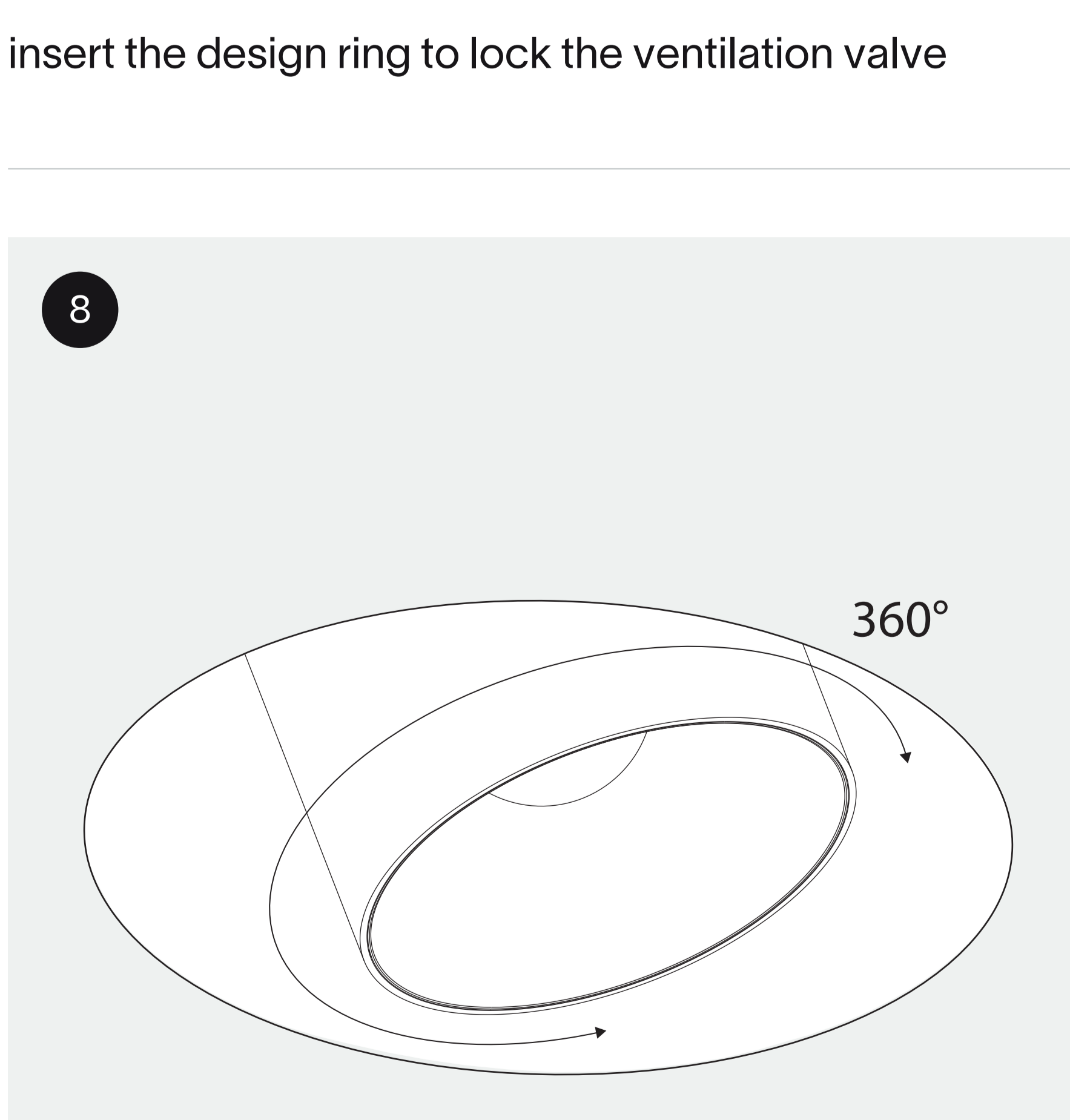
gently insert the fixture into the kit until it "clicks"



twist the luminaire to adjust the ventilation flow level



insert the design ring to lock the ventilation valve



twist the luminaire as desired
thank you for choosing prado

