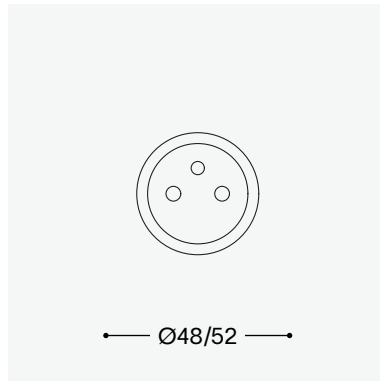
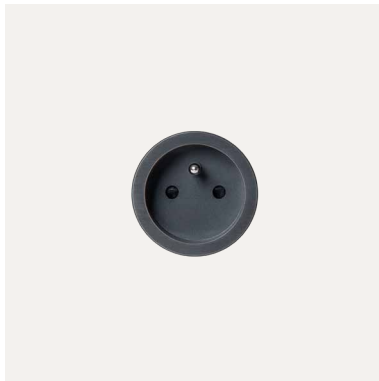


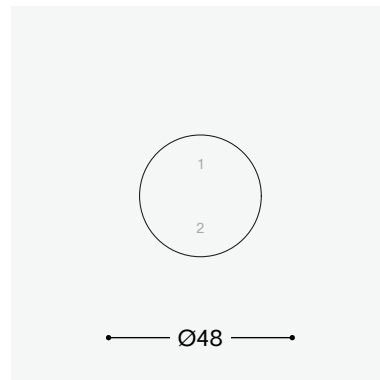
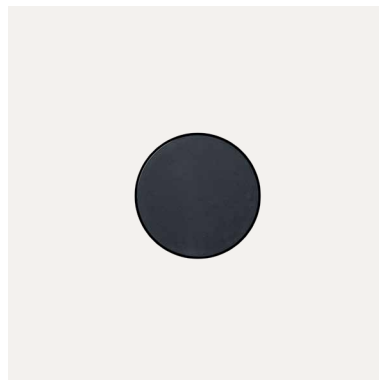
product overview

rond 2.0 | socket module



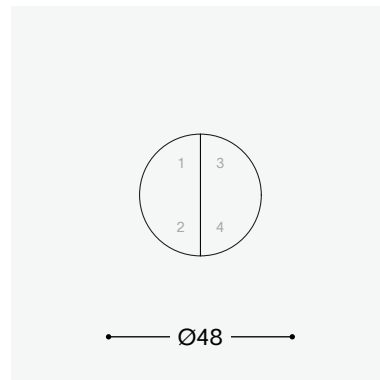
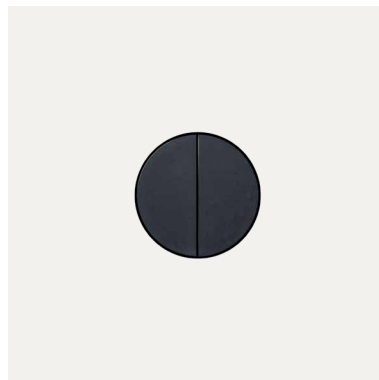
type	type E BE/FR	type F NL/DE/LU
compatibility	retrofit / easyfit	multifit
variant	trimless Ø48	small trim Ø52
finishes	black (basic, ano)	white (basic, stru)
	custom brass finishes	
removable	by tool, always accessible	
price	€ 29 - 69 excl. VAT	

rond 2.0 | push button trimless



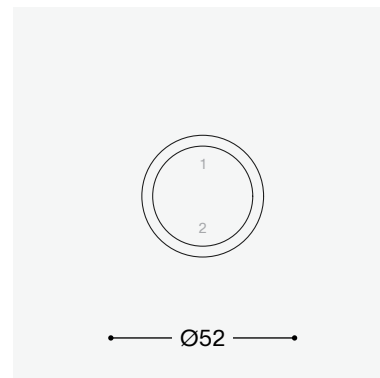
type of switch	potential-free	2-fold, trimless
compatibility	retrofit / easyfit	/
finishes	basic black	basic white
	black ano	white struc
	custom brass finishes	
removable	by tool, always accessible	
price	€ 49 - 169 excl. VAT	

rond 2.0 | push button trimless



type of switch	potential-free	4-fold, trimless
compatibility	retrofit / easyfit	/
finishes	basic black	basic white
	black ano	white struc
	custom brass finishes	
removable	by tool, always accessible	
price	€ 49 - 169 excl. VAT	

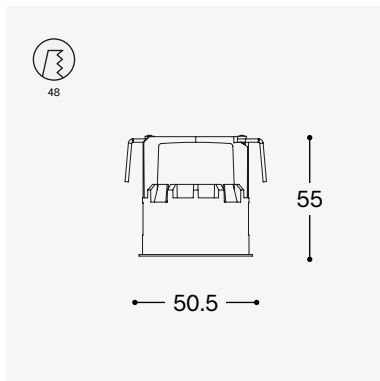
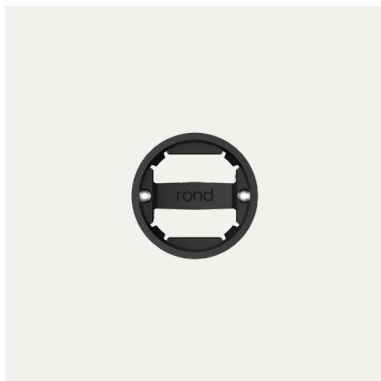
rond 2.0 | push button small trim



type of switch	potential-free	2-fold, small trim
compatibility	easyfit / retrofit	multifit
finishes	basic black	basic white
	black ano	white struc
	custom brass finishes	
removable	by tool, always accessible	
price	€ 49 - 169 excl. VAT	

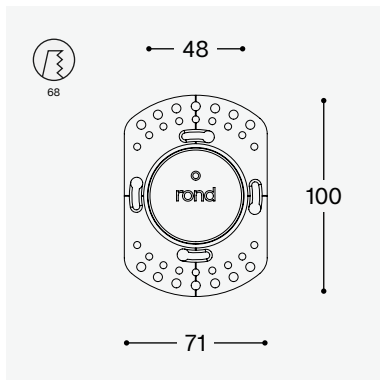
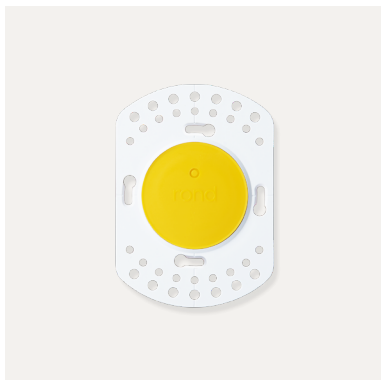
product overview

rond 2.0 | multifit holder



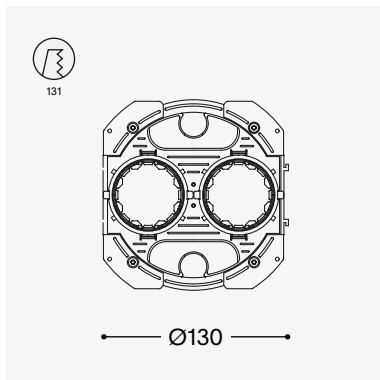
compatibility	rond 2.0 socket module
fits in	wood, veneer and stone
installation hole	Ø 48
removable	by tool, always accessible
price	€ 19 excl. VAT

rond 2.0 | retrofit plaster ring



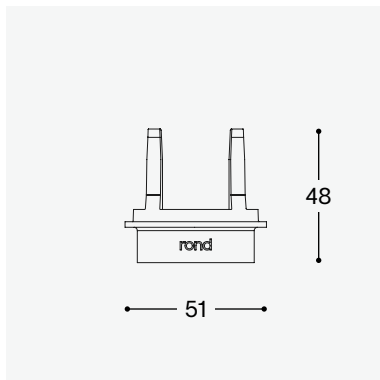
compatibility	rond 2.0 socket module
fits in	universal junction boxes round or square
installation hole	Ø 68
removable	by tool, always accessible
price	€ 9 excl. VAT

rond 2.0 | easyfit plaster box



compatibility	rond 2.0 socket module
fits in	solid, plastered walls
variant	double single
installation hole	Ø 131
adjustability	3 positions: 4, 8 and 12 mm
removable	by tool, always accessible
price	€ 19 excl. VAT

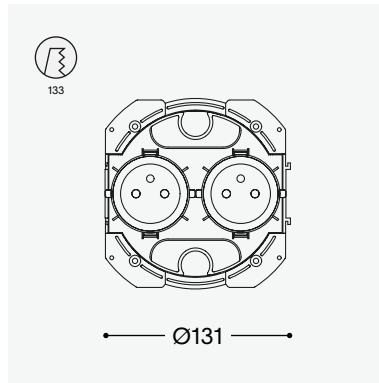
rond 2.0 | removal tool



compatibility	rond 2.0
price	€ 9 excl. VAT

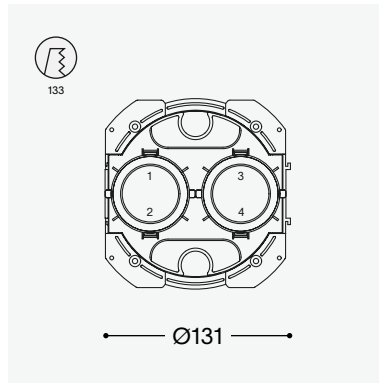
product overview

rond 1.0 | sockets



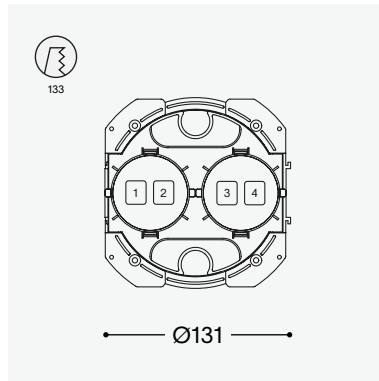
variant	double	single
type	E BE/FR	F NL/DE/LU
finish	basic black	basic white
	custom brass finishes	
price	from € 69 excl. VAT	

rond 1.0 | push buttons



type of switch	potential-free	trimless
no. of buttons	two-fold	four-fold
finish	basic black	basic white
	custom brass finishes	
removable	by tool, always accessible	
price	from € 69 excl. VAT	

rond 1.0 | data ports



type of ports	RJ45 UTP	audio
up to 4 ports	coax	hdmi
	USB-A	USB-C
finish	basic black	basic white
	custom brass finishes	
removable	by tool, always accessible	
price	from € 69 excl. VAT	