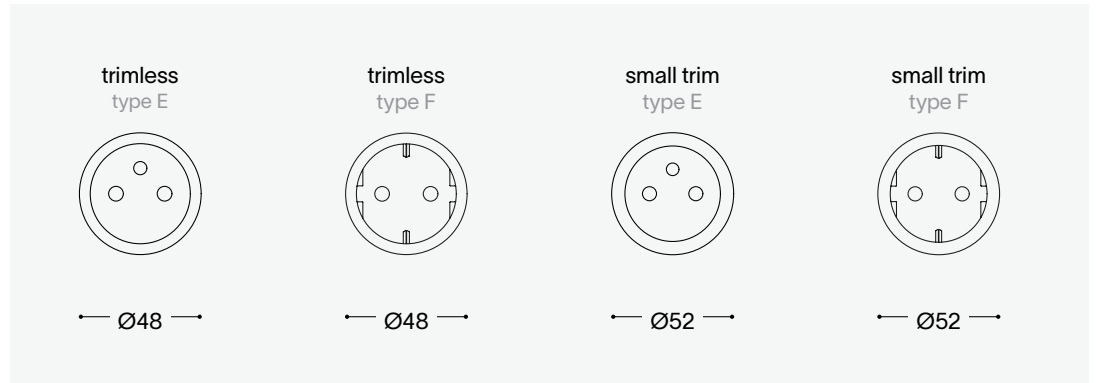


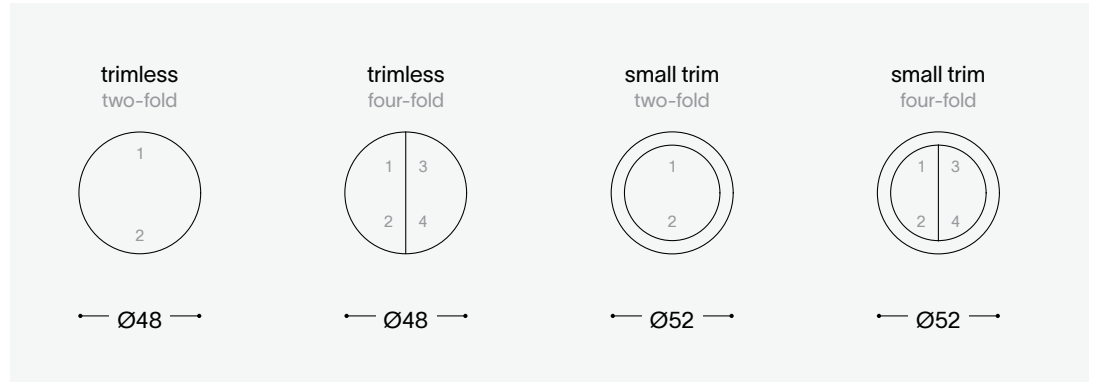
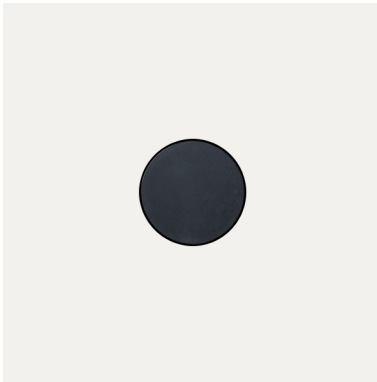
product overview

rond 2.0 | socket module



| | | |
|----------------------|----------------------------|-----------------------|
| types | E BE/FR | F NL/DE/LU |
| compatibility | retro/easy/backfit modules | multifit modules |
| variants | trimless Ø48 | small trim Ø52 |
| finishes | basic alu | custom brass finishes |
| removable | by tool, always accessible | |
| price | € 29 - 69 excl. VAT | |

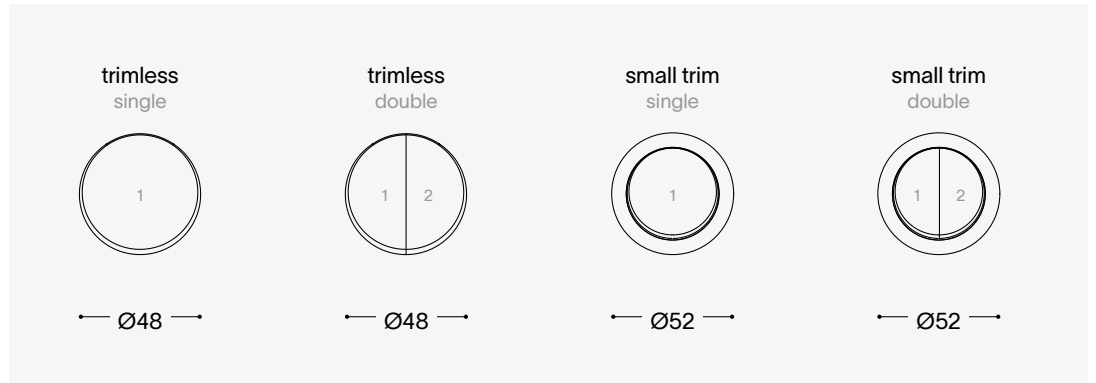
rond 2.0 | PF push button



| | | | |
|----------------------|-----------------------------------|-----------------------|-----------|
| types | potential-free | two-fold | four-fold |
| compatibility | retro/easy/backfit modules | multifit modules | |
| variants | trimless Ø48 | small trim Ø52 | |
| finishes | basic alu | custom brass finishes | |
| sensor | integrated NTC temperature-sensor | | |
| removable | by tool, always accessible | | |
| price | € 49 - 169 excl. VAT | | |

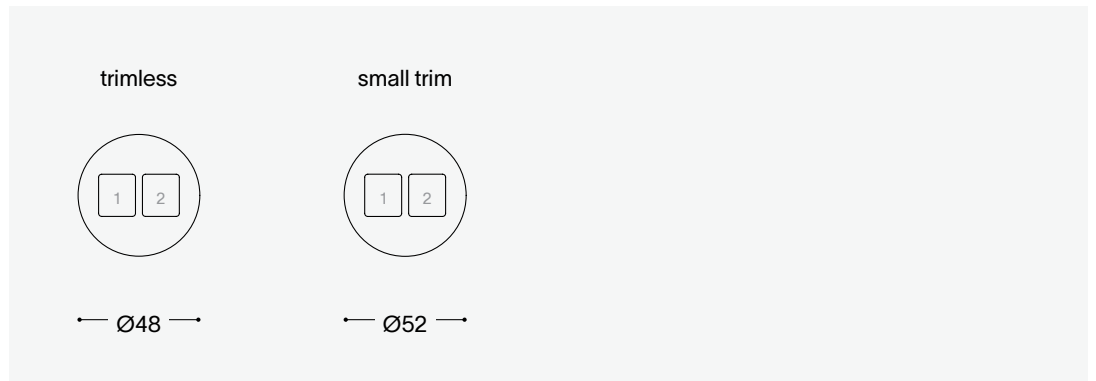
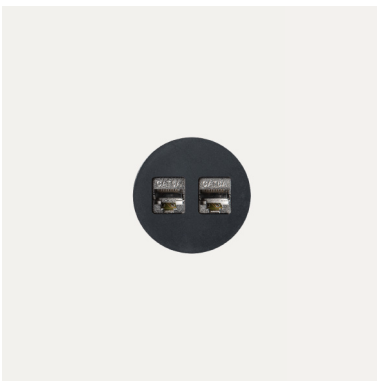
product overview

rond 2.0 | 230V switches



| | | |
|----------------------|----------------------------|--------------------------|
| types | single-pole switch | double NO/NC push button |
| | two-pole switch | two-way switch |
| | NO/NC push button | two-pole two-way switch |
| | two-circuit switch | double two-way switch |
| | intermediate switch | |
| compatibility | retro/easy/backfit modules | multifit modules |
| variants | trimless Ø48 | small trim Ø52 |
| finishes | basic | alu |
| removable | by tool, always accessible | |
| price | € 29 - 69 excl. VAT | |

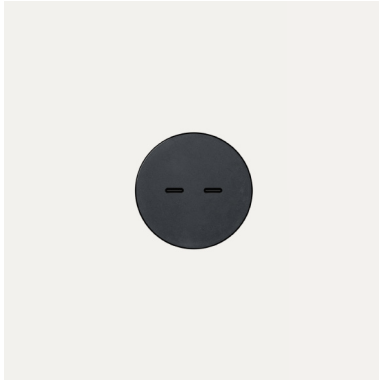
rond 2.0 | data ports module



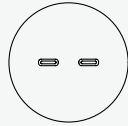
| | | | | |
|-----------------------|----------------------------|------|-----------------------|-------|
| type keystones | RJ45 UTP | coax | hdmi | audio |
| compatibility | retro/easy/backfit modules | | multifit modules | |
| variants | trimless Ø48 | | small trim Ø52 | |
| finishes | alu | | custom brass finishes | |
| removable | by tool, always accessible | | | |
| price | € 49 - 69 excl. VAT | | | |
| other | keystones sold separately | | | |

product overview

rond 2.0 | dual USB-C module

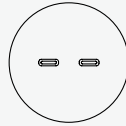


trimless



← Ø48 →

small trim

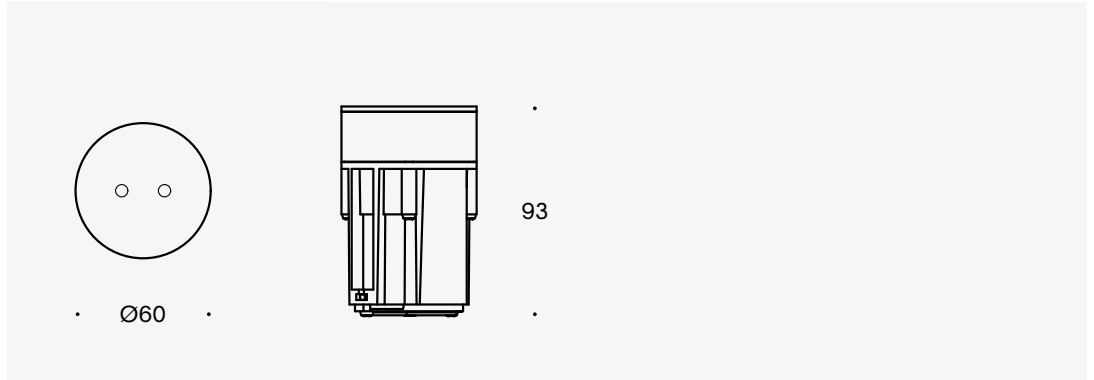


← Ø52 →

| | | |
|----------------------|----------------------------|-----------------------|
| type | 2X USB-C port | 30W |
| compatibility | retro/easy/backfit modules | multifit modules |
| variants | trimless Ø48 | small trim Ø52 |
| finishes | alu | custom brass finishes |
| removable | by tool, always accessible | |
| price | € 89 - 129 excl. VAT | |

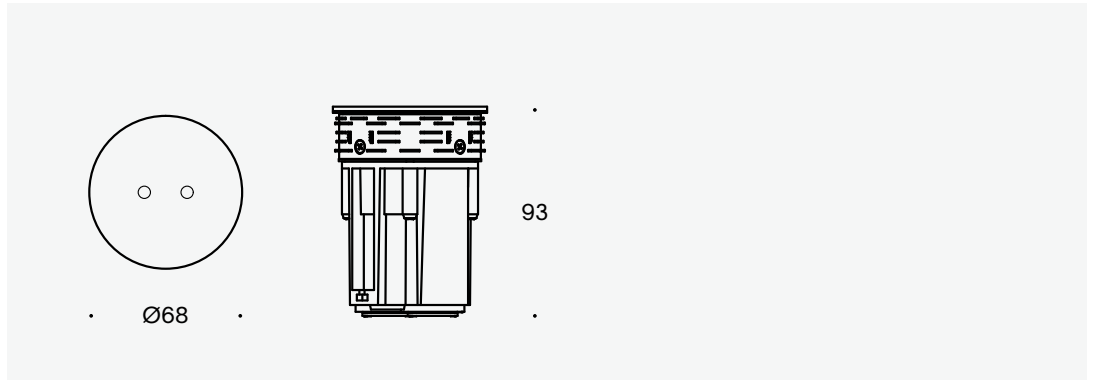
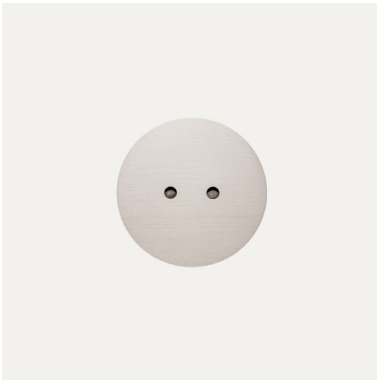
product overview

rond | floor socket Ø60



| | | |
|-------------------------------|---|--------------------------------|
| IP rating | IP66 closed | IP20 open |
| compatibility | retro/easy/backfit socket module trimless type E/F sold separately | |
| application / location | concrete floors Ø60 | indoor |
| cover plate | required, not included sold separately | |
| finishes | brushed steel | brushed brass |
| | brushed dark bronze | brushed canon de fusil dark |
| removable | cover plate, by power plug | socket module, by removal tool |
| price | € 69 excl. VAT | |

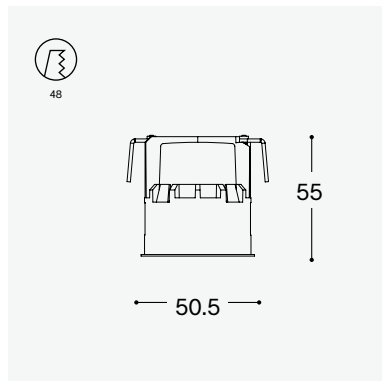
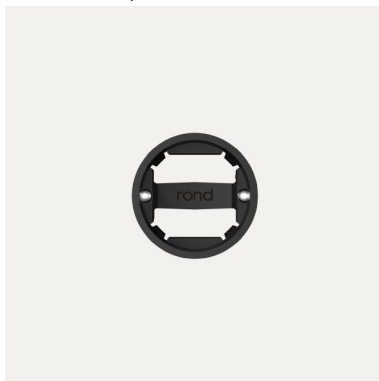
rond | floor socket Ø68



| | | |
|-------------------------------|---|--------------------------------|
| IP rating | IP66 closed | IP20 open |
| compatibility | retro/easy/backfit socket module trimless type E/F sold separately | |
| application / location | wooden floors and tiles Ø68 | indoor |
| cover plate | required, not included sold separately | |
| finishes | brushed steel | brushed brass |
| | brushed dark bronze | brushed canon de fusil dark |
| removable | cover plate, by power plug | socket module, by removal tool |
| price | € 69 excl. VAT | |

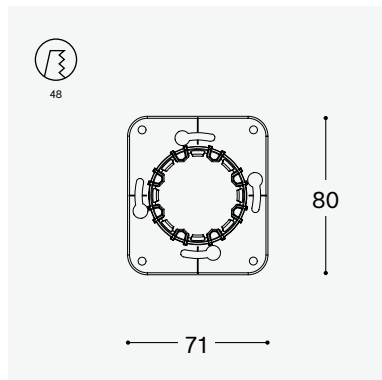
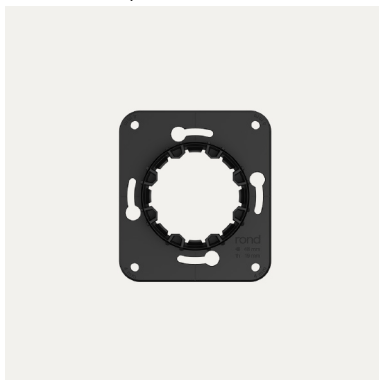
product overview

rond 2.0 | multifit holder



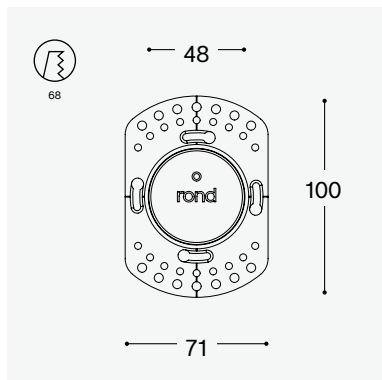
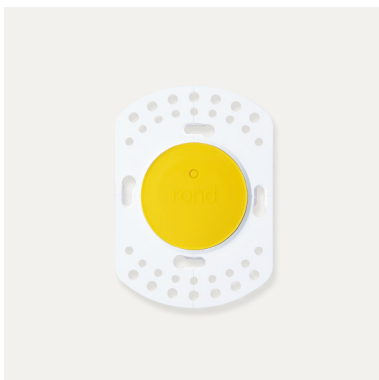
| | |
|--------------------------|------------------------|
| compatibility | multifit modules |
| fits in | wood, veneer and stone |
| installation hole | Ø 48 |
| panel thickness | 8 - 30 mm |
| price | € 19 excl. VAT |

rond 2.0 | backfit holder



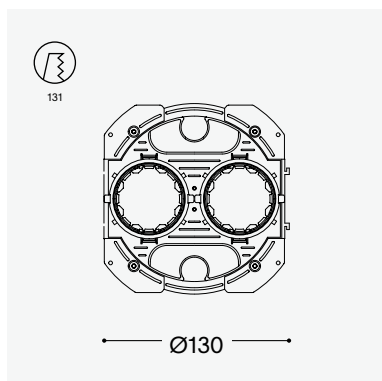
| | |
|--------------------------|----------------------------|
| compatibility | retro/easy/backfit modules |
| for | wood, veneer and stone |
| installation hole | Ø 48 |
| panel thickness | 19 mm |
| price | € 19 excl. VAT |

rond 2.0 | retrofit plaster ring



| | |
|--------------------------|---|
| compatibility | retro/easy/backfit modules |
| fits in | universal junction boxes round or square |
| installation hole | Ø 68 |
| price | € 9 excl. VAT |

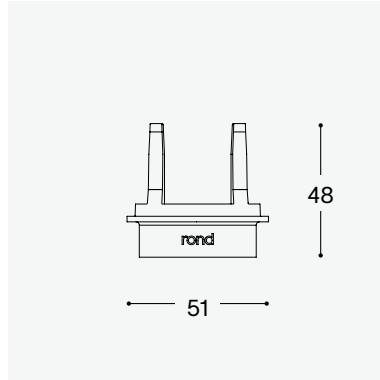
rond 2.0 | easyfit plaster box



| | |
|--------------------------|------------------------------------|
| compatibility | retro/easy/backfit modules |
| fits in | solid, plastered walls |
| variant | double single |
| installation hole | Ø 131 |
| adjustability | 3 positions: 4, 8 and 12 mm |
| price | € 19 excl. VAT |

product overview

rond 2.0 | removal tool



compatibility retro/easy/backfit modules

multifit modules

price € 9 excl. VAT