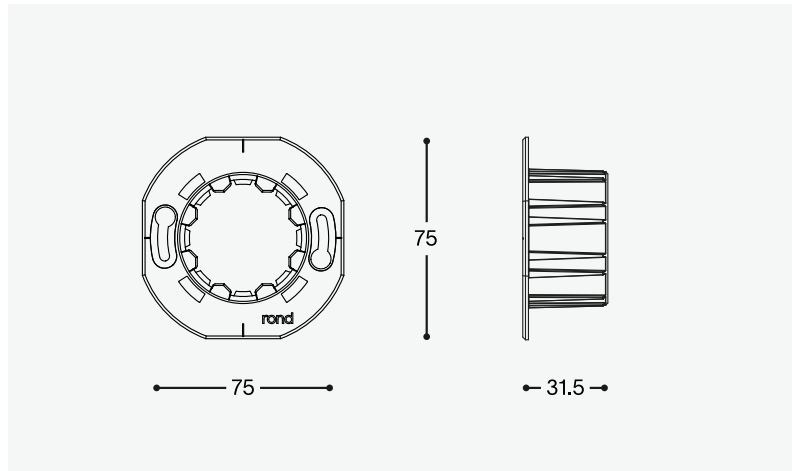
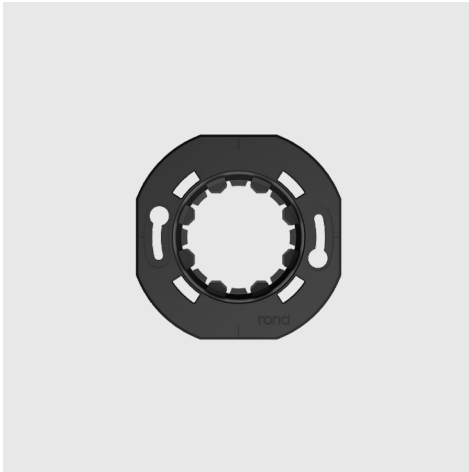


big trim holder



tech specs

kit size h 75 w 75 d 32

location indoor

weight 0.2 kg

compatibility rond 2.0 socket module

order number

8800 - 2015

big trim holder

mounting dimensions

installation hole $\text{\O}68$