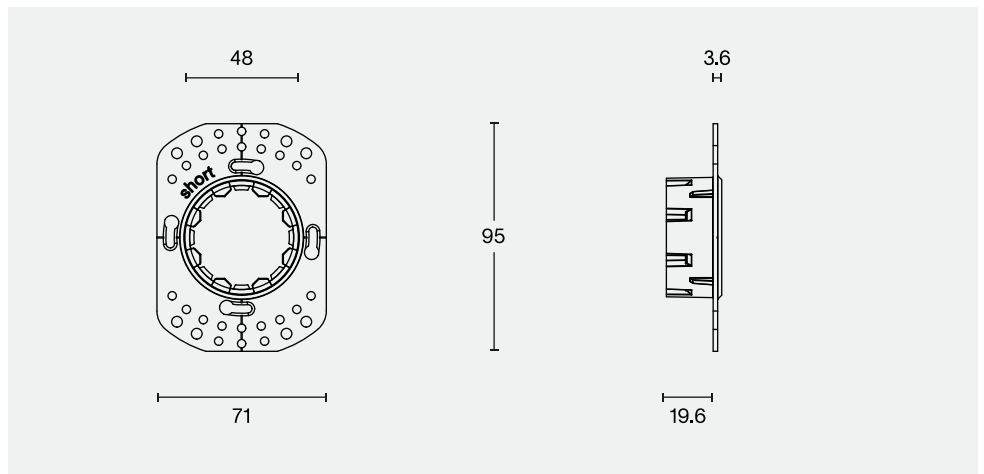
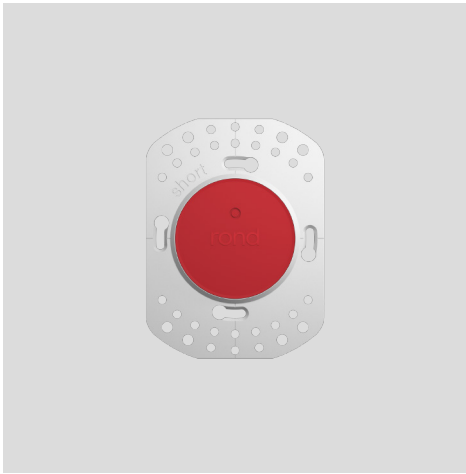


retrofit plaster ring short



tech specs

kit size	h 95 w 75 d 23
cut-out size	Ø 68 d 61
location	indoor
weight	0.2 kg
compatibility	retrofit socket type G
back box depth	minimum 25 mm recommended ≥ 35 mm

order number

8800 - 2018	retrofit plaster ring short
-------------	-----------------------------

accessories

installation

8800 - 2010	removal tool
-------------	--------------