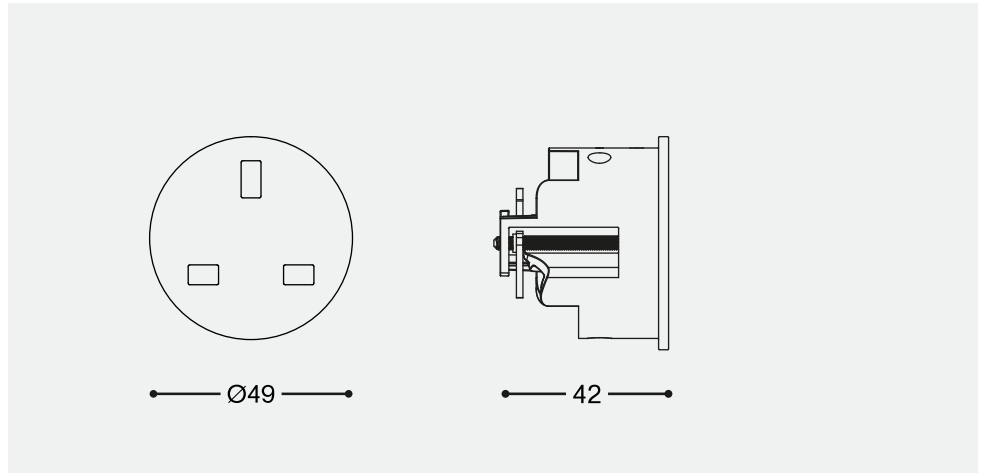
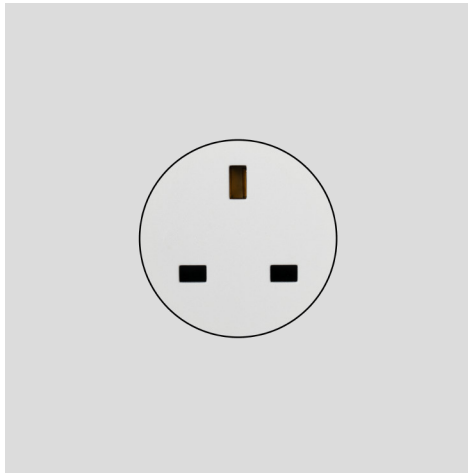


unifit socket wireless type G



socket specs

application	13A/250V
location	indoor
flush-mounting depth	42 mm
number of gangs	1
back box depth	minimum 35 mm
installation hole	Ø44
panel thickness	min. 12 mm - max. 30 mm
flush mount countersink	Ø49.2 x 2.3 mm
overall dimensions	Ø49
wire fixation	screw terminals (TX8)
IP, IK rating	IP20 IK06
marking	CE - UKCA - BS1363
earth terminal	yes
switched	no
other	patent pending

order number

socket without cover

wireless	8800 - 5039
----------	-------------

cover plate (not incl.)

black	8800 - 5043
cream	8800 - 5042
white	8800 - 5041