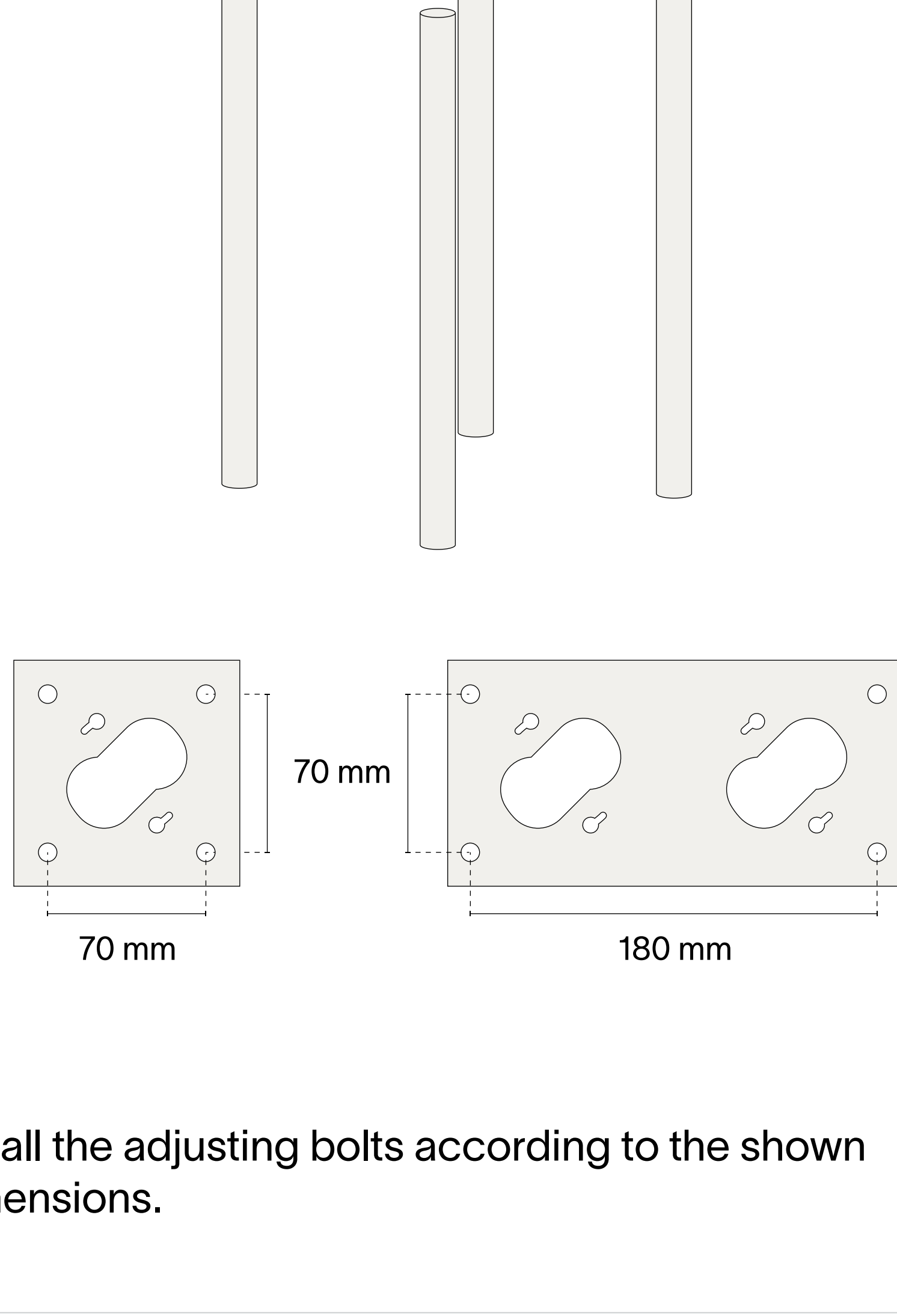


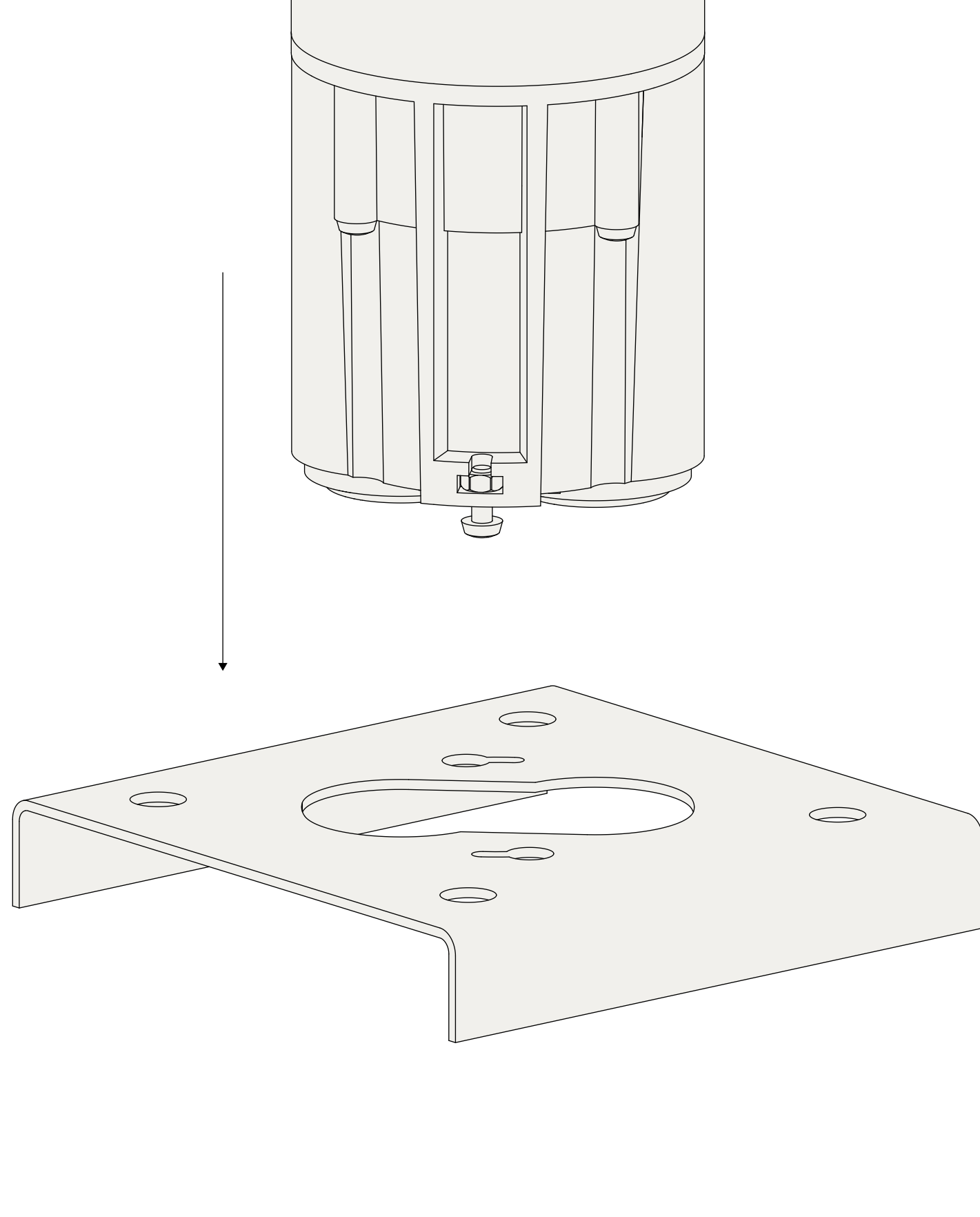
floor box level support installation instruction

1



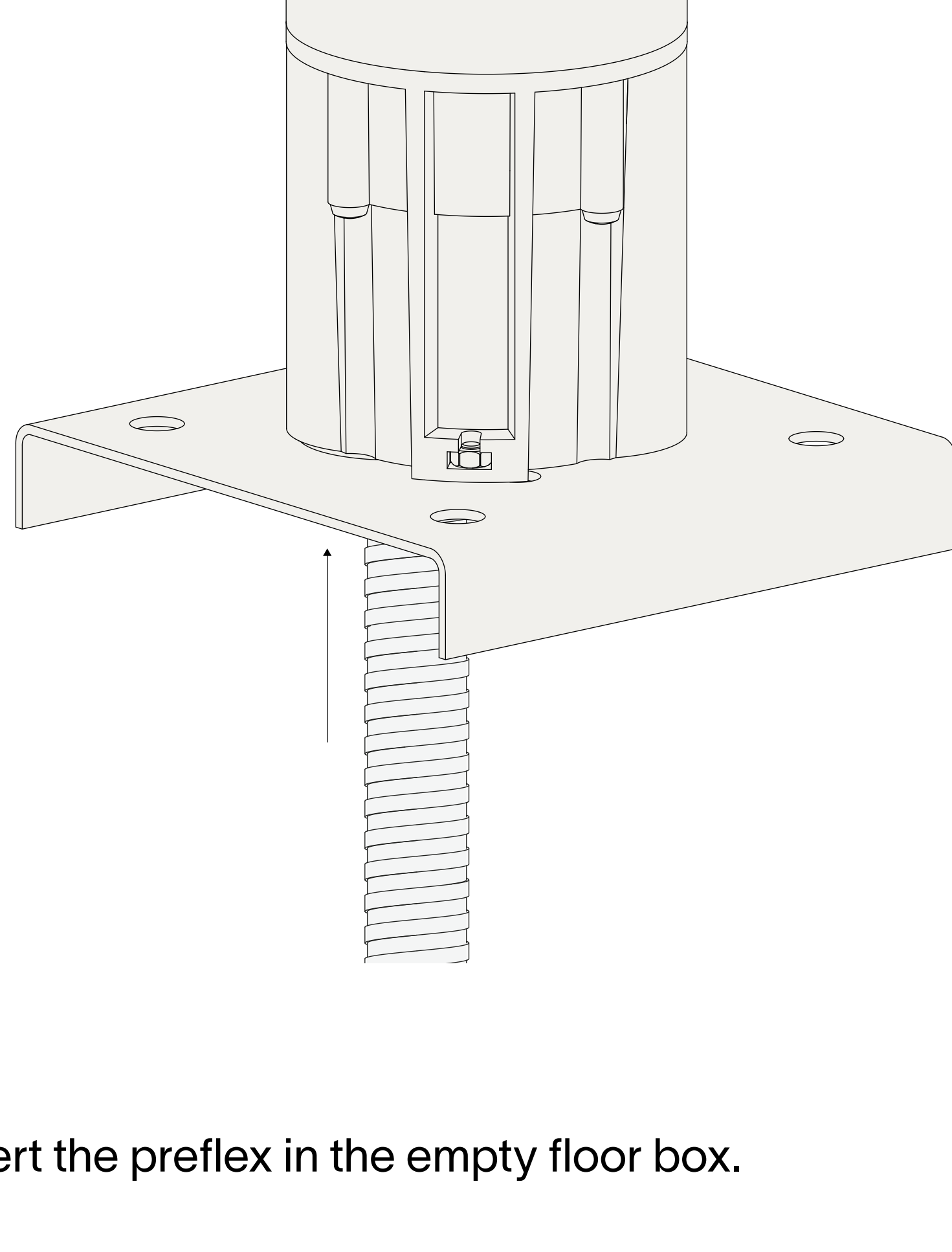
Install the adjusting bolts according to the shown dimensions.

2



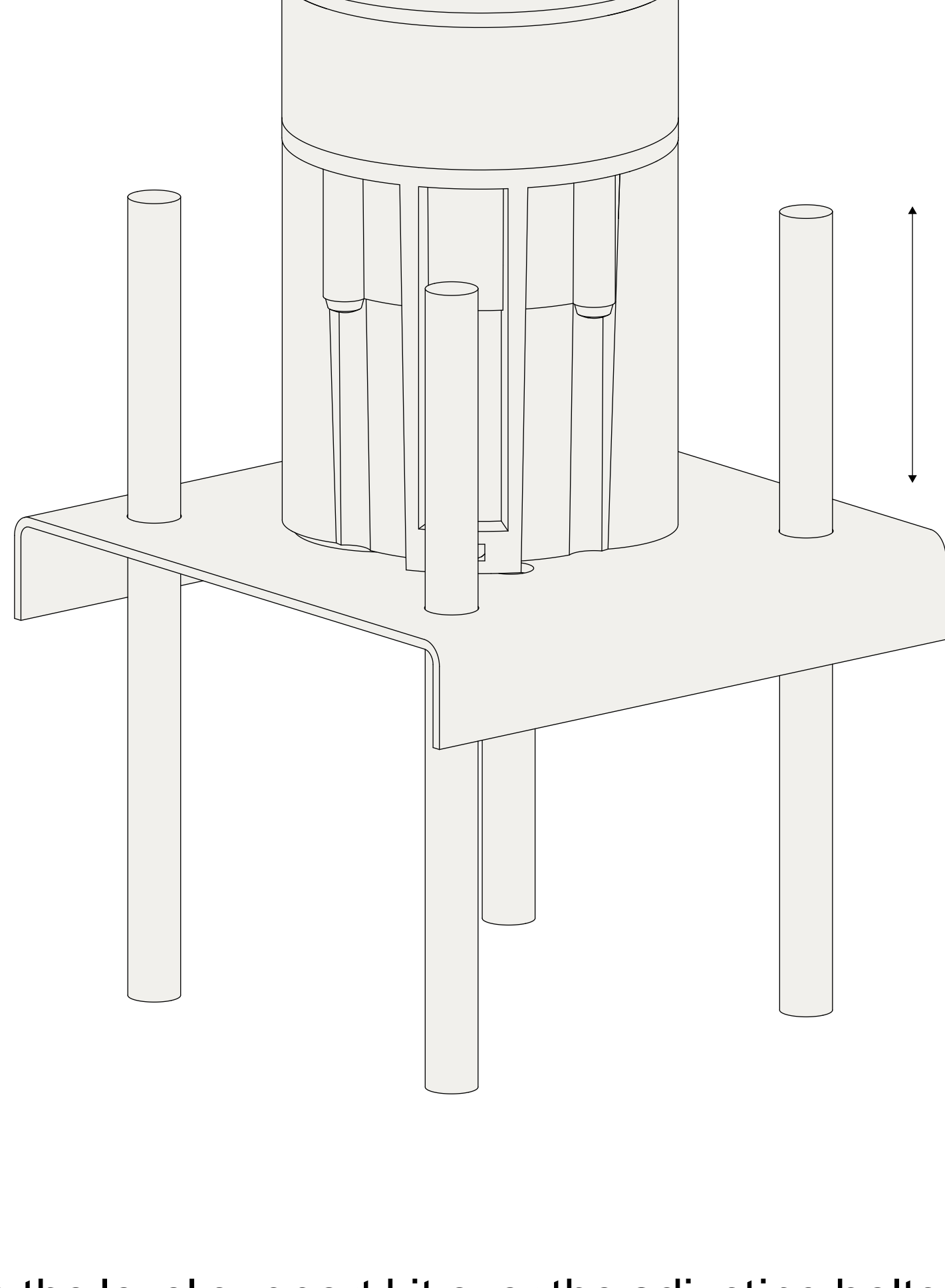
Install the empty floor box on the level support kit.

3



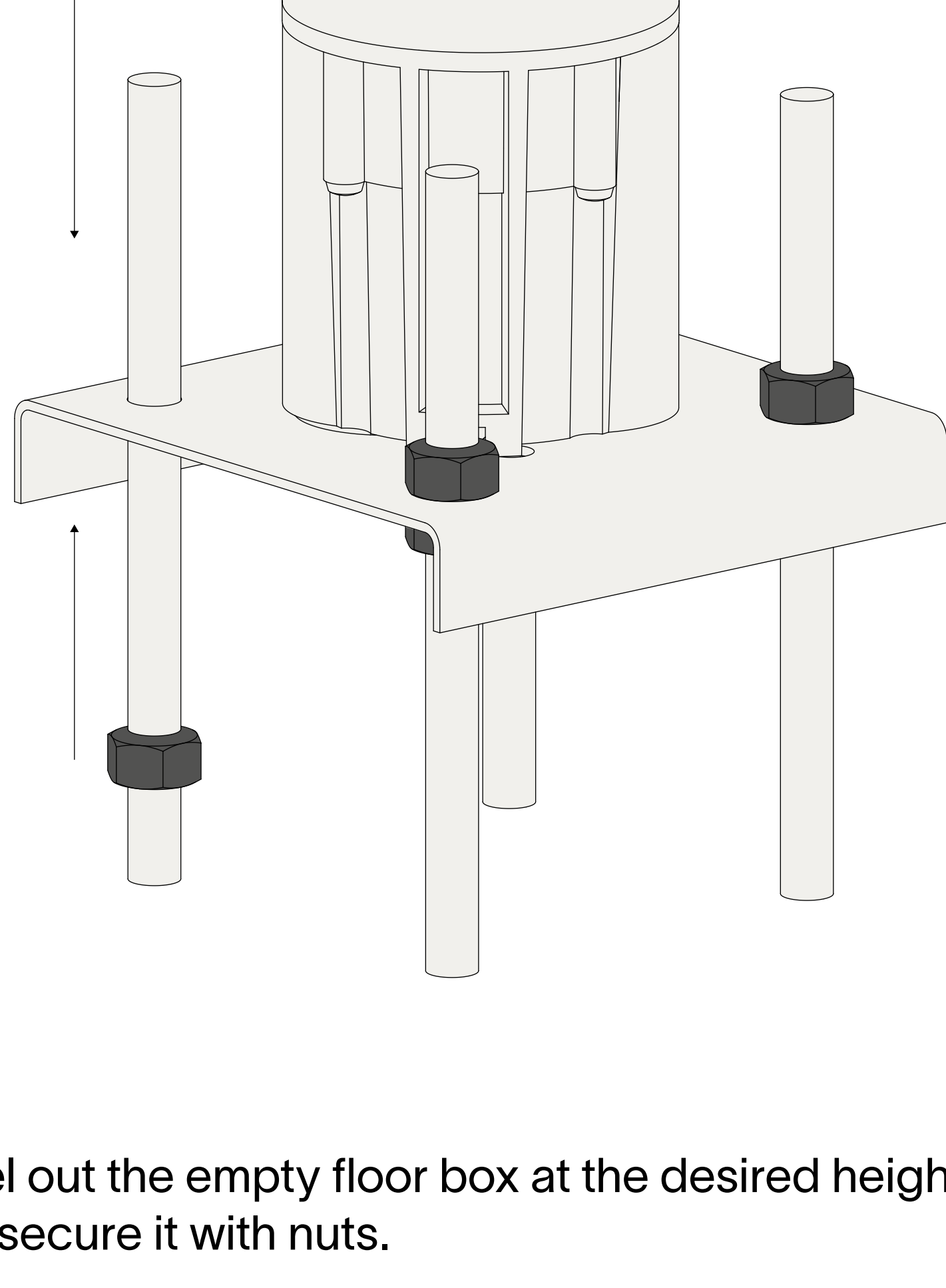
Insert the preflex in the empty floor box.

4



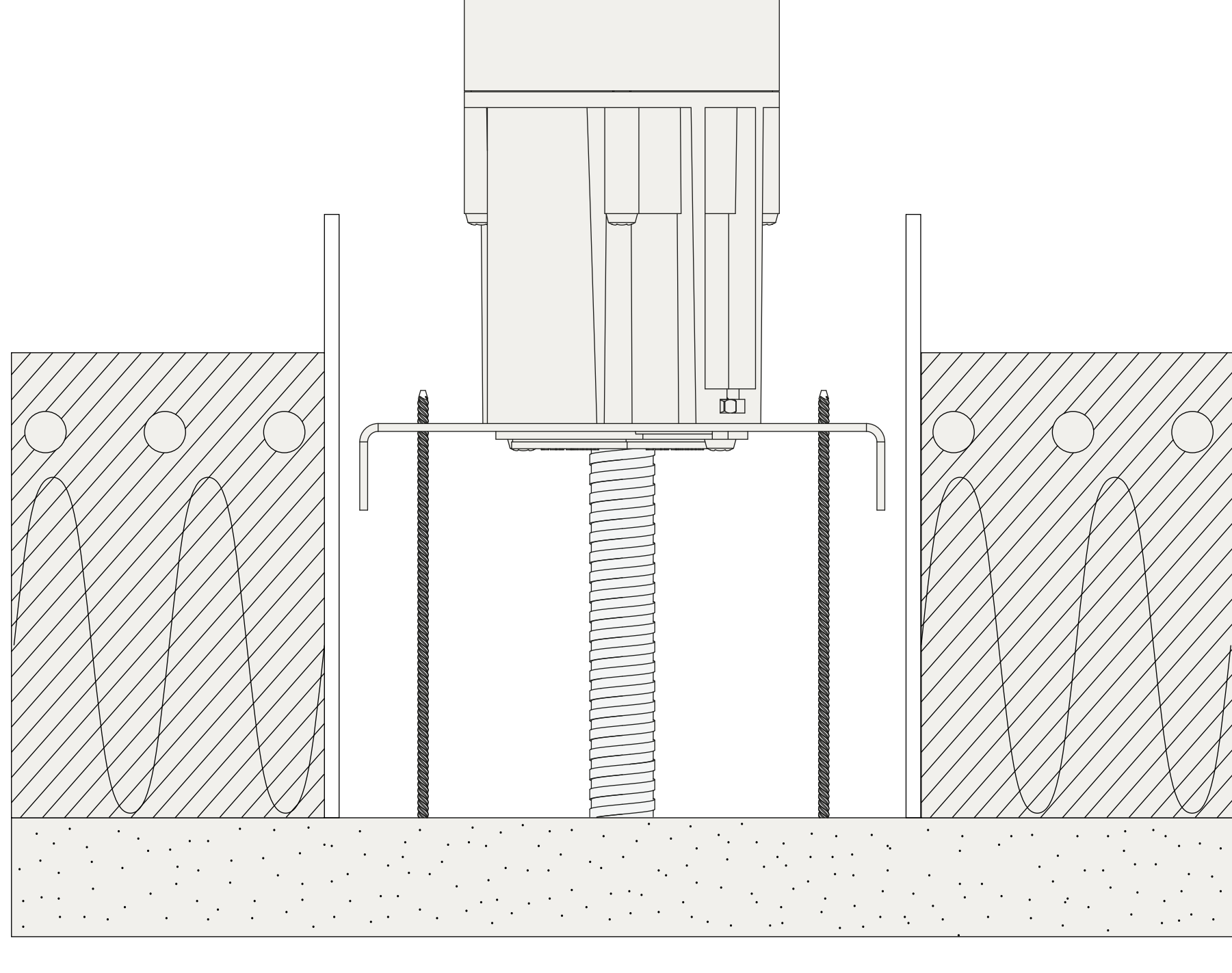
Slide the level support kit over the adjusting bolts.

5



Level out the empty floor box at the desired height and secure it with nuts.

6



Build up all floor layers except the final concrete layer. Continue installation with the floor box Ø60 installation manual.

thank you for choosing rond