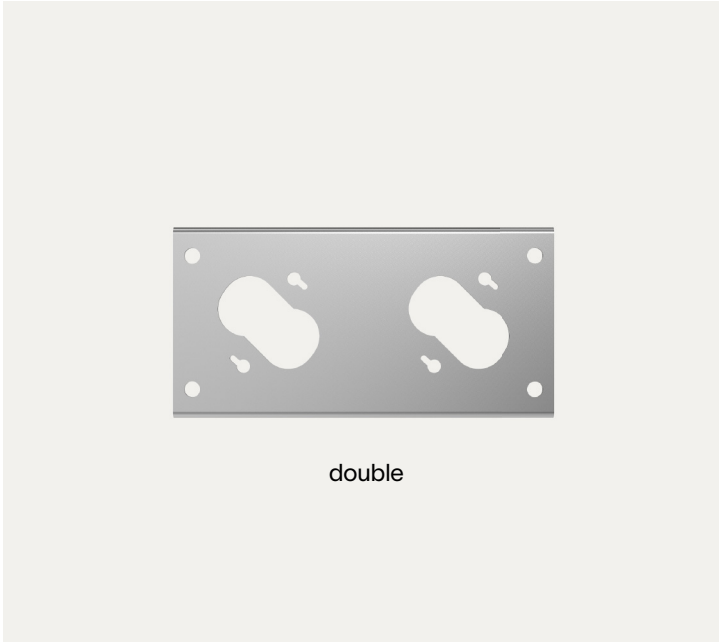
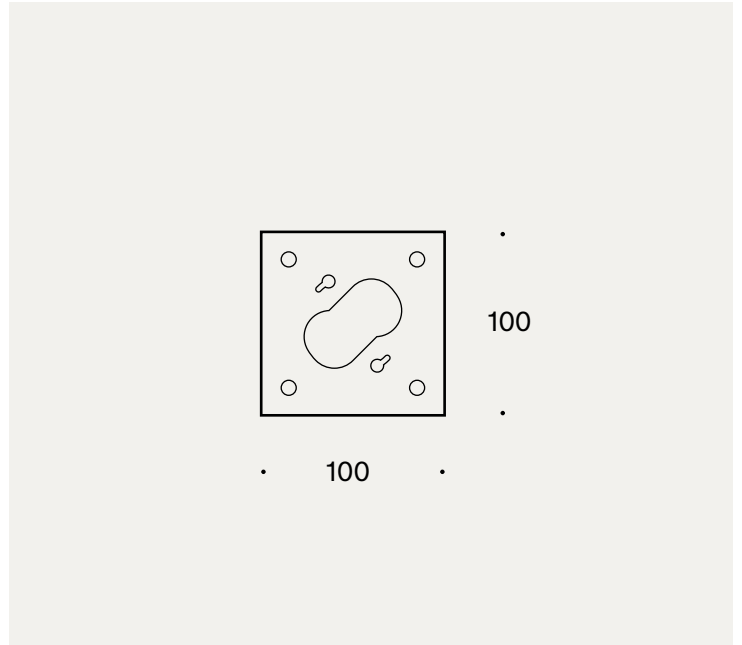
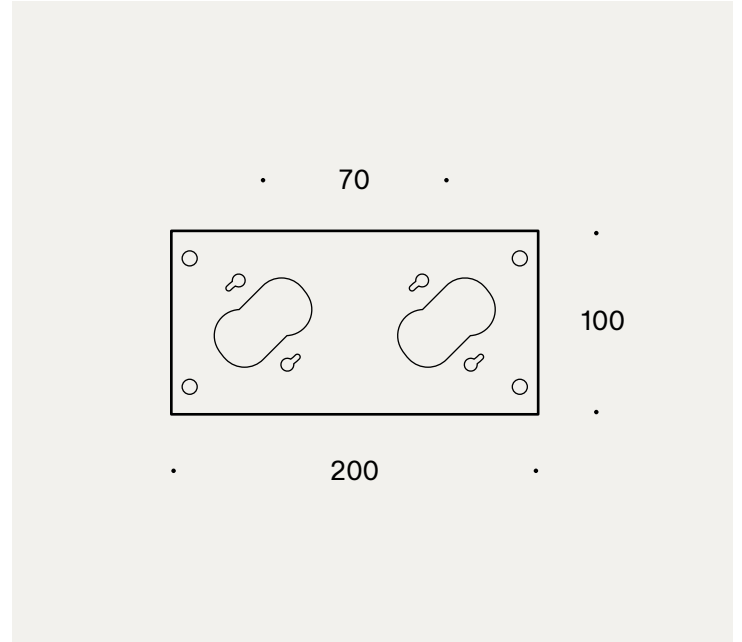


single



double



floor box level support single or double

specs

kit size	single: 100x100mm
	double: 200x100mm
location	(concrete) floor indoor
compatibility	empty floor box Ø60

order number

floor box level support <small>single</small>	8800 - 2525
floor box level support <small>double</small>	8800 - 2526
empty floor box Ø60	8800 - 2527