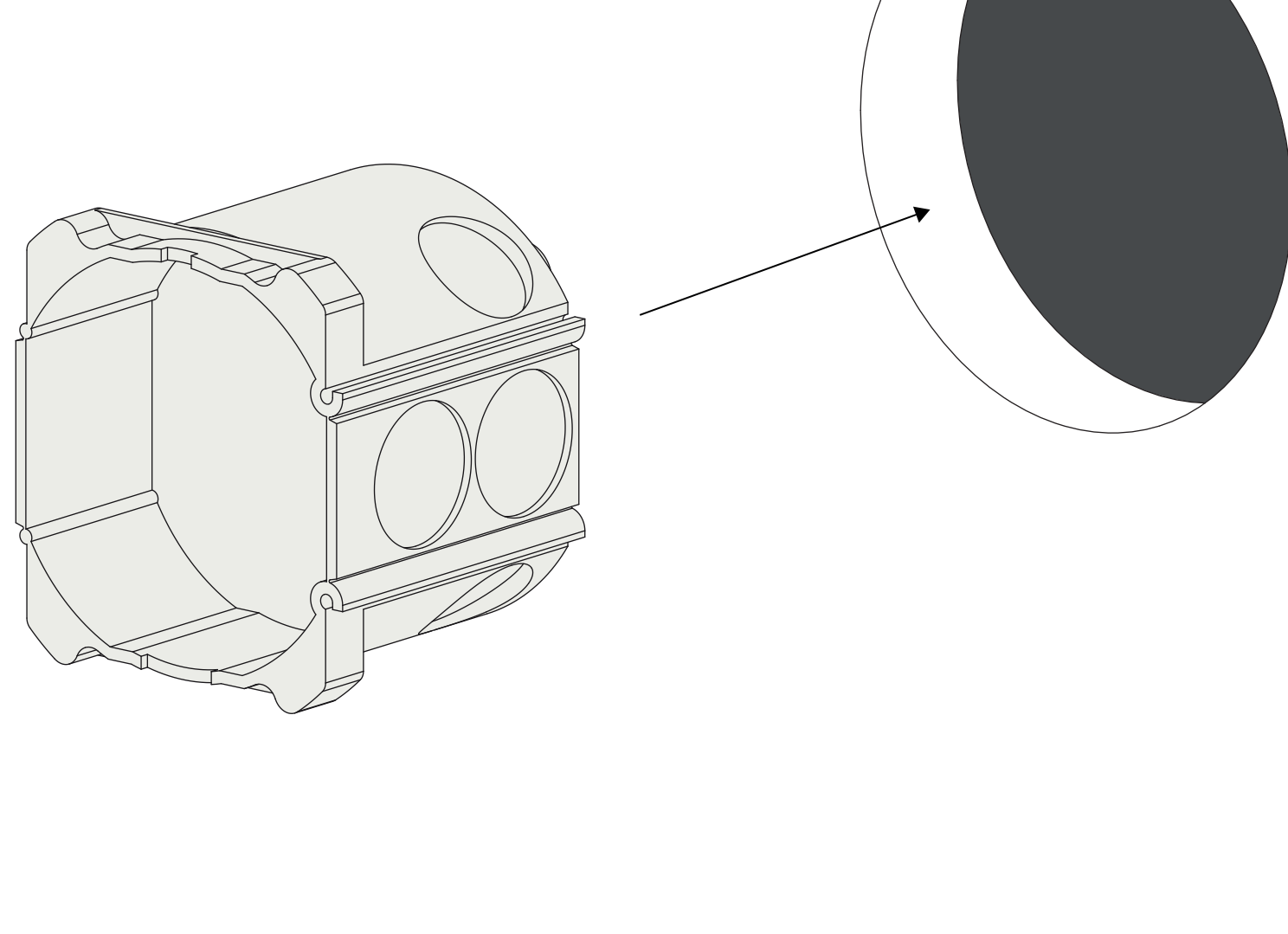
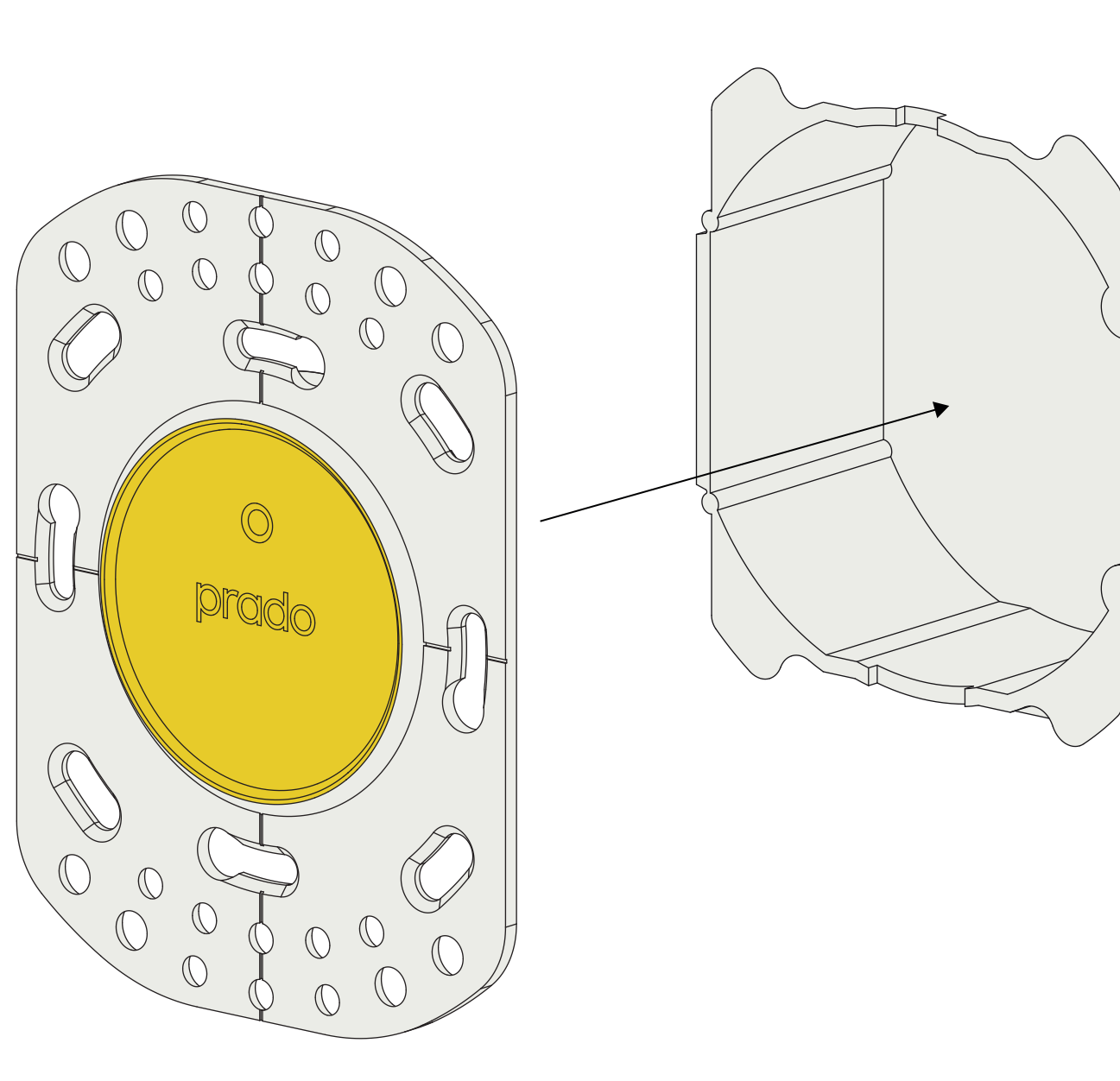


# retrofit plaster ring type J installation instruction

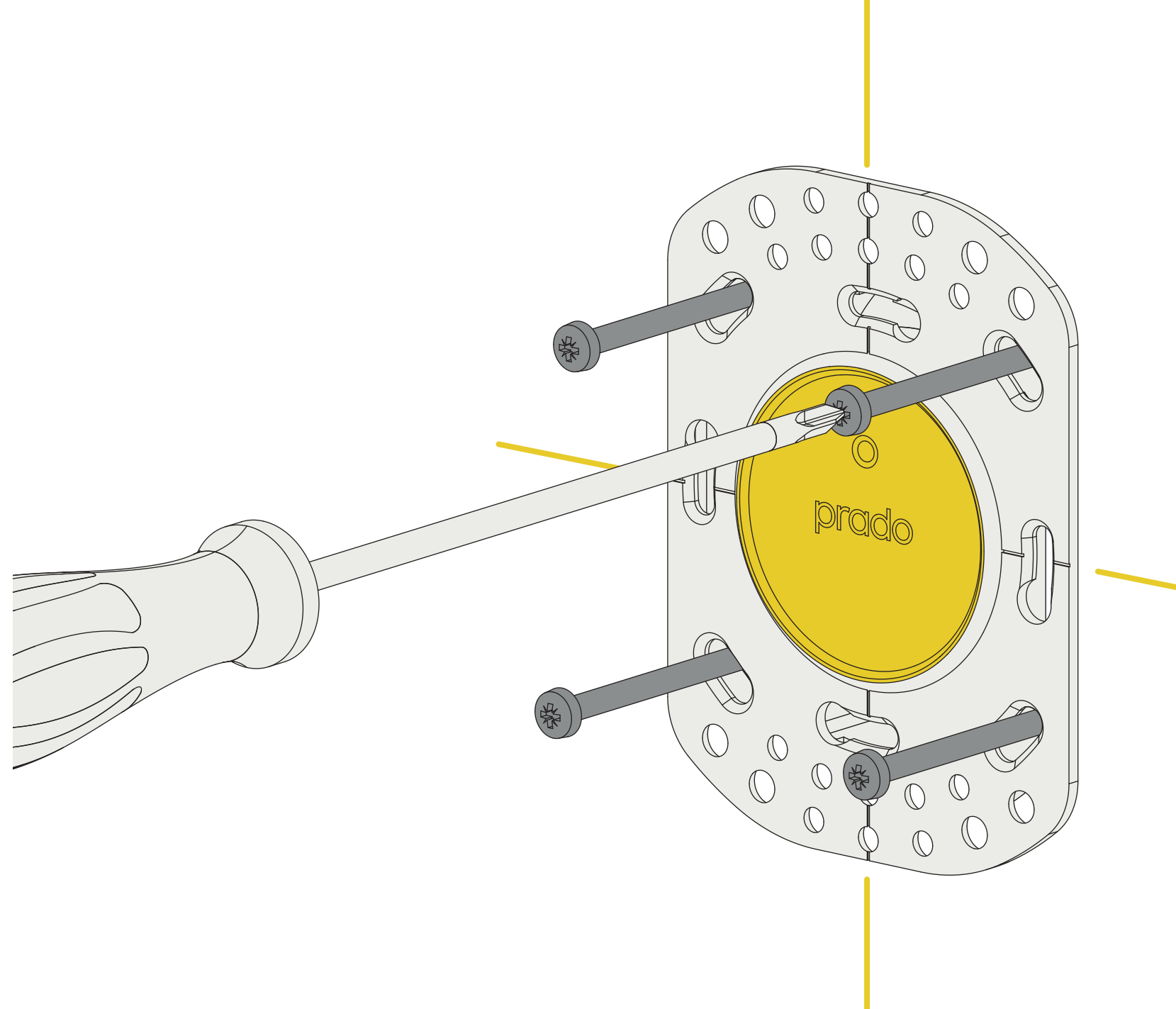
1



2

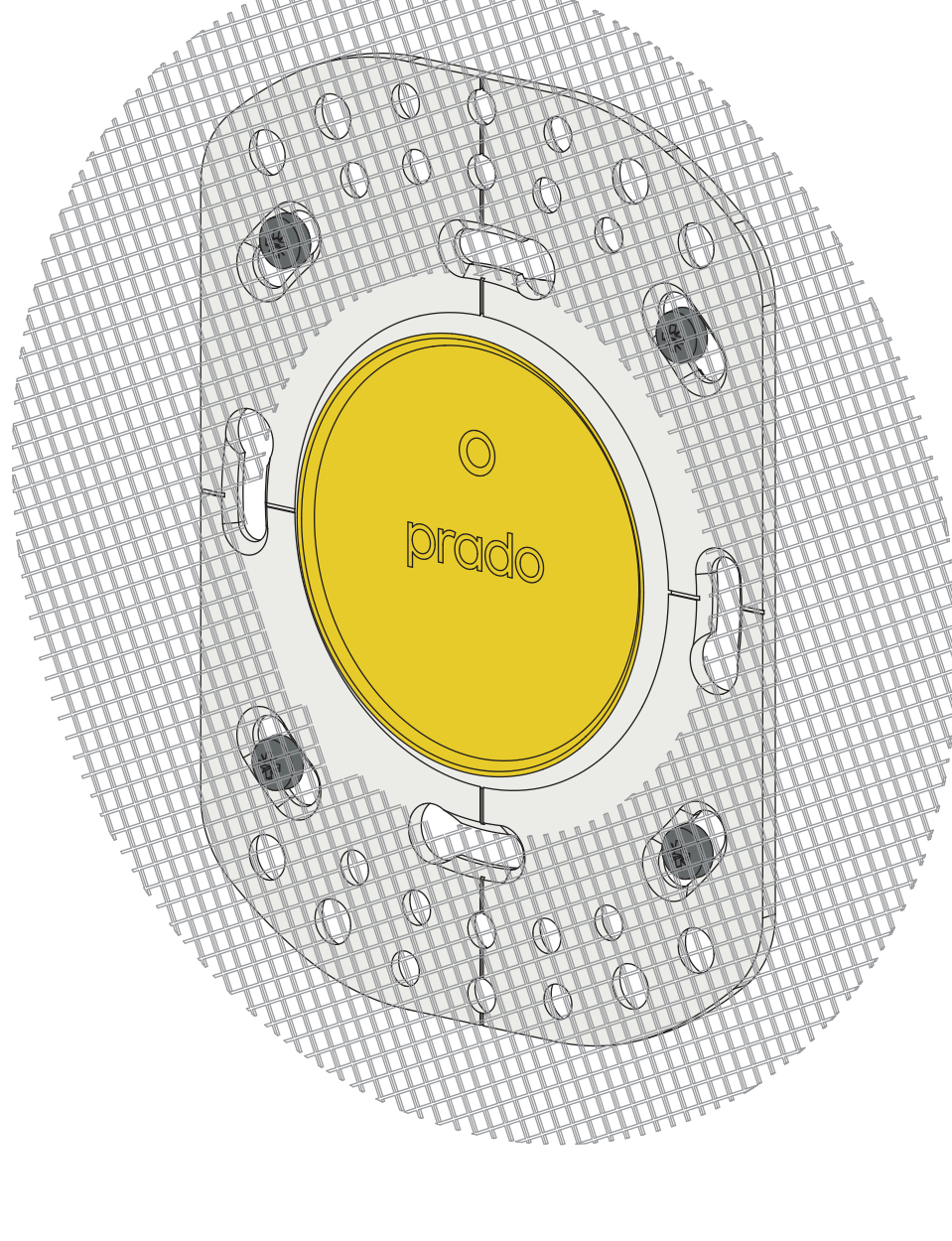


3

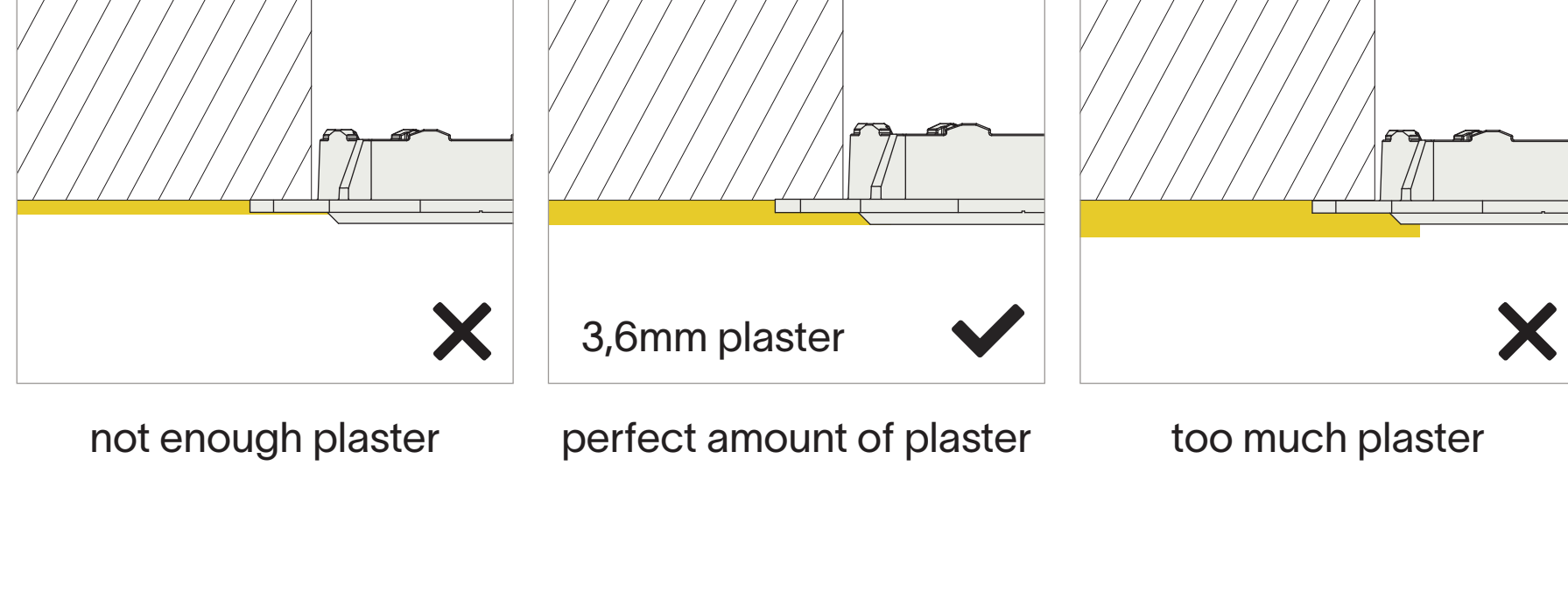


level kit, gently screw with appropriate stainless steel screws

4



5



Excercise caution while plasering, do not damage the ring. Keep the plaster lid inside the plaster ring while plastering. Use a fiberglass mesh tape for optimal plaster adhesion. Make sure not to touch the edge of the ring when sanding.

thank you for choosing rond