

# Unifit series.

Adjusts to different  
plate thicknesses.

Fits in plaster,  
wood and stone.

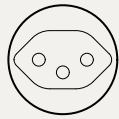
Effortless installation.  
Flush or surface.

Always removable,  
without tool.

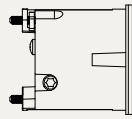


## overview

## unifit socket Ø45 | type J



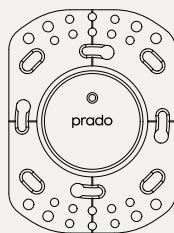
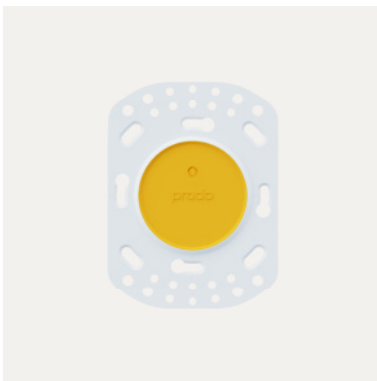
· Ø45 ·



· 48.5 ·

<b>type</b>	J CH	Swiss standard type 13
<b>application</b>	10A, 250V AC, L + N + PE	
<b>installation hole</b>	Ø42 mm	
<b>flush mount countersink</b>	Ø45.4 x 2.6 mm depth	
<b>panel thickness</b>	5.5-36 mm (adjustable lugs)	
<b>finishes</b>	black	cream      white
<b>removable</b>	without tool, always accessible	
<b>marking</b>	CE	
<b>other</b>	tamper resistant	back box required
<b>price</b>	€ 69 excl. VAT	

## retrofit plaster ring | type J



· 71 ·

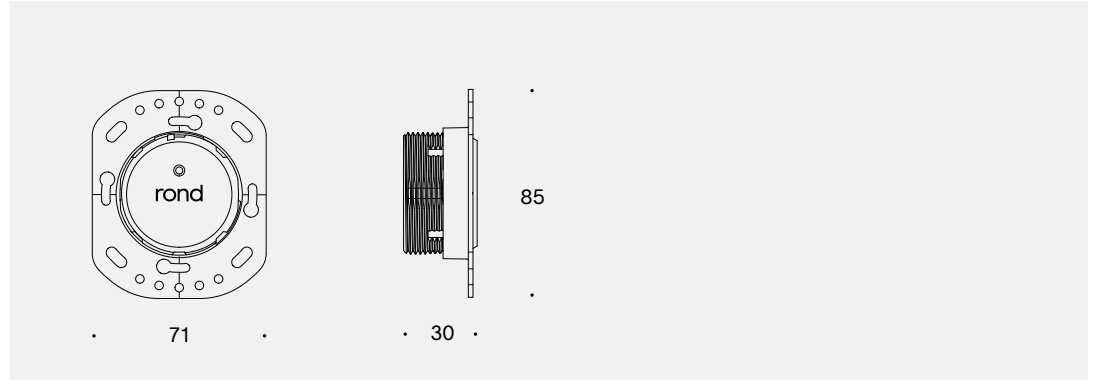


· 23.2 ·

<b>compatibility</b>	unifit socket type J	
<b>kit size</b>	H 95 x W 71 x D 23.2	
<b>mounted</b>	flush	
<b>back box depth</b>	min. 59 mm	
<b>location</b>	indoor	
<b>price</b>	€ 9 excl. VAT	

# overview

plaster ring adjustable unifit | type E/F/J



<b>compatibility</b>	unifit socket type E/F/J
<b>adjustability</b>	3.6 - 20 mm plaster
<b>mounted</b>	surface
<b>junction/back box depth</b>	min. 59 mm
<b>location</b>	indoor
<b>price</b>	€ 9 excl. VAT